

ACCESS SERVICE

7. Special Access Service

7.1 General

Special Access Service provides a transmission path to connect customer designated premises\*, directly, or through a Telephone Company hub or hubs where bridging or multiplexing functions are performed, or to connect a customer designated premises and a WATS Serving Office, or to connect a customer designated premises to a Public Packet Data Network Service. Special Access Service includes all exchange access not utilizing Telephone Company end office switches.

The connections provided by Special Access Service can be either analog, digital or optical. Analog connections are differentiated by spectrum and bandwidth. Digital and optical connections are differentiated by bit rate.

(C)  
|  
(C)

7.1.1 Channel Types

There are eight types of channels used to provide Special Access Services. Each type has its own characteristics. All are subdivided by one or more of the following:

- Transmission specifications,
- Bandwidth,
- Speed (i.e., bit rate),
- Spectrum

Customers can order a basic channel and select from a list of those available transmission parameters and channel interfaces that they desire in order to meet specific communications requirements.

For purposes of ordering channels, each has been identified as a type of Special Access Service. However, such identification is not intended to limit a customer's use of the channel nor to imply that the channel is limited to a particular use. For example, if a customer's equipment is capable of transmitting voice over a channel that is identified as a Metallic Service in this tariff, there is no restriction against doing so.

\* Telephone Company Centrex CO and CO-like switches and packet switches included in Public Packet Switching Network (PPSN) Service are considered to be a customer designated premises for purposes of this tariff.

FILED BY 90-0407  
 Order No. \_\_\_\_\_  
 Law  Tariff Prov.  
 CHECK FOR COMPLIANCE

RECEIVED  
MAR 31 1999

MAY 11 1999

Issued: March 31, 1999

PUBLIC UTILITIES DIVISION  
Engineering Department

ILLINOIS COMMERCE COMMISSION

ISCECA Tariff Administrator  
2060 W. Iles, Suite A  
Springfield, Illinois 62704

Effective: April 1, 1999

## ACCESS SERVICE

7. Special Access Service (Cont'd)7.1 General (Cont'd)7.1.1 Channel Types (Cont'd)

Following is a brief description of each type of channel:

**Metallic** - a channel for the transmission of low speed varying signals at rates up to 30 baud.

**Telegraph Grade** - a channel for the transmission of binary signals at rates of 0 to 75 baud or 0 to 150 baud.

**Voice Grade** - a channel for the transmission of analog signals within an approximate bandwidth of 300 to 3000 Hz.

**Program Audio** - a channel for the transmission of audio signals. The nominal frequency bandwidths are from 200 to 3500 Hz, from 100 to 5000 Hz, from 50 to 8000 Hz, or from 50 to 15000 Hz.

**Video** - a channel for the transmission of standard 525 line 60 field monochrome or National Television Systems Committee color video signal and one or two associated 5 or 15 kHz audio signals. The bandwidth is either 30 Hz to 4.5 MHz or 30 Hz to 6.6 MHz.

**Digital Data** - a channel for the digital transmission of synchronous serial data at rates of 2.4, 4.8, 9.6, 19.2, 56.0 or 64.0 Kpbs.

**High Capacity** - a channel for the transmission of isochronous serial digital data at rates of 1.544, 3.152, 6.312, 44.736 or 274.176 Mbps.

**Synchronous Optical** - a high speed channel for the transmission of synchronous full duplex data over optical fiber at rates of 155.52 or 622.08 Mbps.

(N)

(N)

FILED IN COMPLIANCE WITH  
 Order No. 90-0425  
 Law  Tariff Prov.  
 CHECK FOR COMPLIANCE

JUL 22 1997

PUBLIC UTILITIES DIVISION  
 Engineering Department

RECEIVED  
 JUL 15 1997

ILLINOIS COMMERCE COMMISSION  
 CHIEF CLERK'S OFFICE

ACCESS SERVICE

7. Special Access Service (Cont'd)

7.1 General (Cont'd)

7.1.1 Channel Types (Cont'd)

Detail descriptions of each of the channel types are provided in 7.4 through 7.11 following.

The customer also has the option of ordering Voice Grade and High Capacity facilities (e.g., 1.544 Mbps and 44.736 Mbps) to Telephone Company hubs for multiplexing to individual channels of a lower capacity or bandwidth. (C)  
Descriptions of the types of multiplexing available at the hubs, as well as the number of individual channels which may be derived from each type of facility, are set forth in 7.6 and 7.10 following. Additionally, the customer may specify optional features for the individual channels derived from the facility to further tailor the channel to meet specific communications requirements. Descriptions of the optional features and functions available are set forth in 7.2.1 following.

For example, a customer may order a 44.736 Mbps High Capacity channel from a customer designated premises to a Telephone Company hub for multiplexing to twenty-eight 1.544 Mbps channels. The 1.544 Mbps channels may be further multiplexed at the same or a different hub to Voice Grade channels or may be extended to other customer designated premises or hubs. optional features may be added to either the 1.544 Mbps or the Voice Grade channels. (C)

Similarly, the customer has the option of ordering Synchronous Optical Channel Service to a wire center equipped for Add/Drop Multiplexing. This allows lower level signals to be added or dropped from a high speed optical carrier channel for delivery to a customer designated premises, WATS office, Public Packet Data Network Service, or another wire center. A description of Add/Drop Multiplexing is set forth in 7.11.3 (B) following. (C)

FILED IN PUBLIC UTILITIES DIVISION  
Order No: 40-8927  
LAW  Tariff Prov.   
CHECK FOR COMPLIANCE

MAY 11 1999

PUBLIC UTILITIES DIVISION  
Engineering Department

RECEIVED  
MAR 31 1999

ILLINOIS COMMERCE COMMISSION  
CHIEF CLERKS OFFICE

Issued: March 31, 1999

Effective: April 1, 1999

Issued by: ISCECA Tariff Administrator  
2060 W. Iles, Suite A  
Springfield, Illinois 62704

ACCESS SERVICE

7. Special Access Service (Cont'd)

7.1 General (Cont'd)

7.1.2 Service Descriptions

RECEIVED  
JUN 10 1998

ILLINOIS COMMERCE COMMISSION  
CHIEF CLERK'S OFFICE

For the purposes of ordering, there are eight categories of Special Access Service. These are:

Service Designator Codes

Metallic	MT
Telegraph Grade	TG
Voice	VG
Program Audio	AP
Video	TV
Digital Data	DA
High Capacity	HC
Synchronous Optical	OC

FILED IN COMPLIANCE WITH  
Order No. 96-0425  
 Law  Tariff Prov.  
CHECK FOR COMPLIANCE

SEP 14 1998

PUBLIC UTILITIES DIVISION  
Engineering Department

Each service consists of a basic channel to which a technical specifications package (customized or predefined), channel interface(s) and, when desired, optional features and functions are added to construct the service desired by the customer. Technical specifications packages are described in Section 15. following, optional features and functions are described in this section. Channel interfaces are described in 15.2 following.

Customized technical specifications packages will be provided where technically feasible. If the Telephone Company determines that the requested parameter specifications are not compatible, the customer will be advised and given the opportunity to change the order.

When a customized channel is ordered the customer will be notified whether Additional Engineering Charges apply. In such cases, the customer will be advised and given the opportunity to change the order.

The channel descriptions provided in 7.4 through 7.11 following, specify the characteristics of the basic channel and indicate whether the channel is provided between customer designated premises, between a customer designated premises and a Telephone Company hub where bridging or multiplexing functions are performed, between hubs, or between a customer designated premises and a WATS Serving Office, or between a customer designated premises and a wire center equipped for Frame Relay Access Service.

By Alan Anderson, President  
P.O. Box 730, 300 East Monroe Street  
Springfield, Illinois 62705  
Issued: March 16, 1989

Section 7  
Original Page 5  
Effective: April 1, 1989

## ACCESS SERVICE

7. Special Access Service (Cont'd)7.1 General (Cont'd)7.1.2 Service Descriptions (Cont'd)

- (A) Information pertaining to the technical specifications packages indicates the transmission parameters that are available with each package. This information is displayed in matrices set forth in 15.2 following.
- (B) Channel interfaces at each Point of Termination on a two-point service may be symmetrical or asymmetrical. On a multipoint service they may also be symmetrical or asymmetrical, but communications can only be provided between compatible channel interfaces. Only certain channel interfaces are compatible. These are set forth in 15.2 following, in a combination format.
- (C) Only certain channel interface combinations are available with the predefined technical specifications packages. These are delineated in the Technical References set forth in (F) following. When a customized channel is requested, all channel interface combinations available with the specified type of service are available with the customized channel.
- (D) The optional features and functions available with each type of Special Access Service are described in this section. The optional features and functions information also indicates with which technical specifications packages they are available. Such information is displayed in matrices set forth in 15.2 following with the optional feature or function listed down the left side and the technical specifications package listed across the top.

RECEIVED  
MAR 16 1989

ILLINOIS COMMERCE COMMISSION  
CHIEF CLERK'S OFFICE

FILED IN COMPLIANCE WITH	
<input checked="" type="checkbox"/> Order No. <u>83-0142</u>	<input type="checkbox"/> Tariff Prov.
<input type="checkbox"/> Law	<input type="checkbox"/> Tariff Prov.
Check for Compliance	
Date <u>4-12-89</u>	
PUBLIC UTILITIES DIVISION	
ENGINEERING DEPARTMENT	

ACCESS SERVICE

RECEIVED  
JUN 10 1998

7. Special Access Service (Cont'd)

7.1 General (Cont'd)

7.1.2 Service Descriptions (Cont'd)

ILLINOIS COMMERCE COMMISSION  
CHIEF CLERKS OFFICE

- (E) The Telephone Company will maintain services installed prior to April 1, 1985, at their existing transmission specifications, provided such performance specifications do not exceed the standards listed in this provision. Those services exceeding the standards listed will be maintained at the performance levels specified in this tariff.
- (F) All services installed after April 1, 1985 will conform to the transmission specifications standards contained in this tariff or in the following Technical References for each category of service:

Metallic	TR-NPL-00336	
Telegraph Grade	TR-NPL-000336	
Voice Grade	TR-TSY-000335	
	PUB 41004, Table 4	
Program Audio	TR-NPL-000337 and associated Addendum	
Video	TR-NPL-000338	
Digital Data	TR-NWT-000341	
For 2.4, 4.8, 9.6 & 56.0 Kbps	BellCore Pub 62310 (MDP-326-726)	
For 19.2 Kbps	INC Bulletin CB-INC-100	
For 64.0 Kbps	AT&T PUB 62310	
High Capacity	TR-INS-000342	
	TR-NPL-000054	
	PUB 62411	
Synchronous Optical	GR-334-CORE	
For OC3, OC3c and OC12	GR-1374-CORE	(C)
	ANSI T1.105	
	ANSI T1.102	

FILED IN COMPLIANCE WITH  
 Order No. 90-6921  
 Law  Tariff Prov.  
CHECK FOR COMPLIANCE

SEP 14 1998

PUBLIC UTILITIES DIVISION  
Engineering Department

ACCESS SERVICE

7. Special Access Service (Cont'd)

7.1 General (Cont'd)

7.1.3 Service Configurations

There are three types of service configurations over which Special Access Services are provided: two-point service, multipoint service and Synchronous Optical Channel Service.

(C)  
(C)

(A) Two-Point Service

A two-point service connects two customer designated premises, either on a directly connected basis or through a hub where multiplexing functions are performed, or a customer designated premises and a wire center equipped for Frame Relay Access Service, or a customer designated premises and a WATS Serving Office (WSO).

Applicable rate elements are:

- Channel Terminations
- Channel Mileage (as applicable)
- Optional Features and Functions (when applicable)

FILED IN COMPLIANCE WITH  
 Order No. 90-0425  
 Law  Tariff Prov.  
CHECK FOR COMPLIANCE

JUL 22 1997

PUBLIC UTILITIES DIVISION  
Engineering Department

RECEIVED  
JUL 15 1997

ILLINOIS COMMERCE COMMISSION  
CHIEF CLERK'S OFFICE

ACCESS SERVICE

7. Special Access Service (Cont'd)

7.1 General (Cont'd)

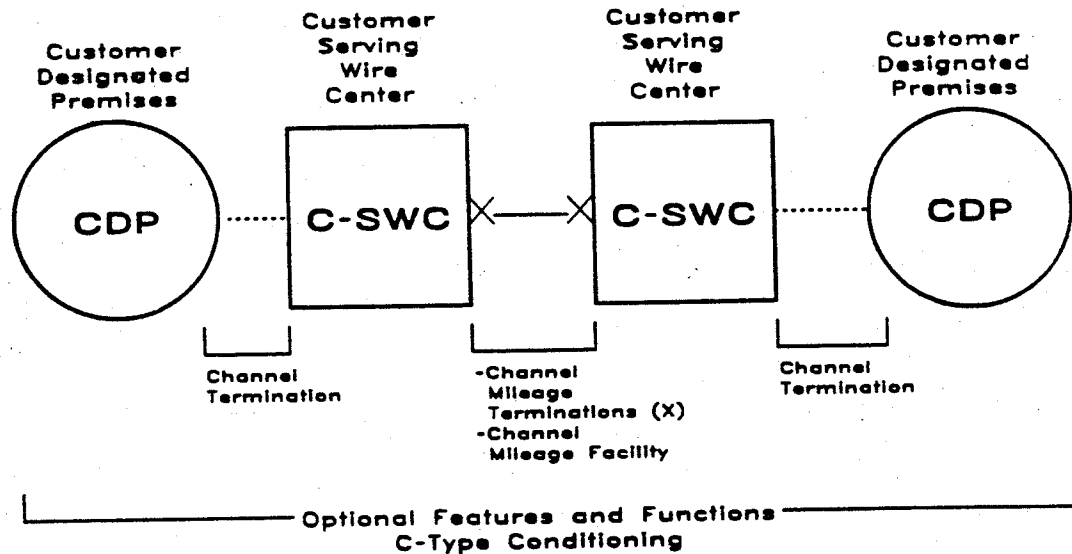
7.1.3 Service Configurations (Cont'd)

(A) Two-Point Service (Cont'd)

FILED IN COMPLIANCE WITH  
Order No. 83-0142  
 Law  Tariff Prov.  
Check for Compliance  
Date 4-12-89  
PUBLIC UTILITIES DIVISION  
ENGINEERING DEPARTMENT

A special Access Surcharge, as set forth in 7.3 following, may be applicable.

The following diagram depicts a two-point Voice Grade service connecting two Customer Designated Premises (CDP). The service is provided with C-Type conditioning.



RECEIVED  
MAR 16 1989

ILLINOIS COMMERCE COMMISSION  
CHIEF CLERK'S OFFICE

Applicable rate elements are:

- Channel Terminations (applicable one (1) per CDP)
- Channel Mileage  
2 Channel Mileage Terminations plus  
1 section, Channel Mileage Facility per mile
- C-Type Conditioning Optional Feature



ACCESS SERVICE

7. Special Access Service (Cont'd)

7.1 General (Cont'd)

7.1.3 Service Configurations (Cont'd)

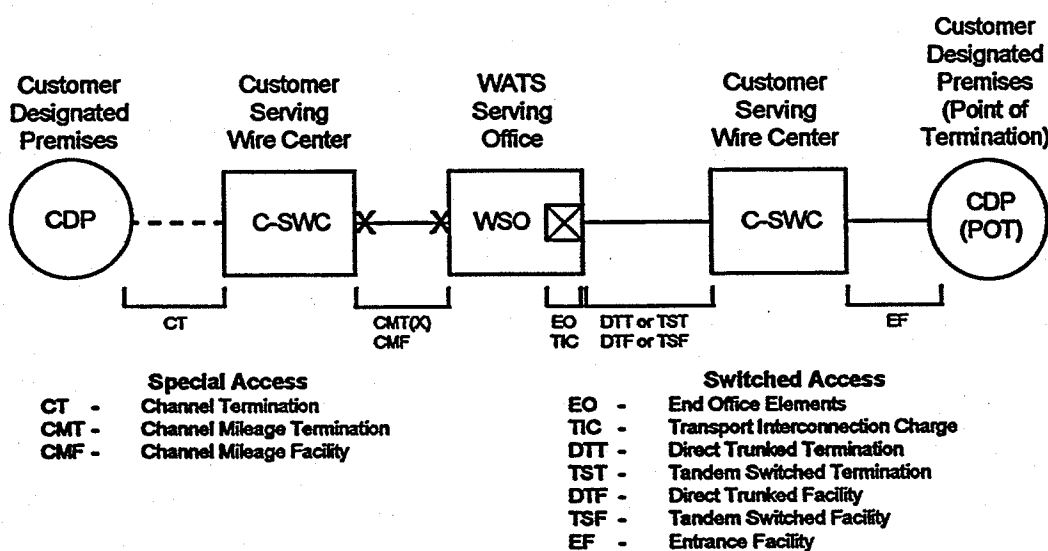
(A) Two-Point Service (Cont'd)

FILED IN COMPLIANCE WITH  
 Order No. 90-0425  
 Law  Tariff Prov.  
CHECK FOR COMPLIANCE

SEP 14 1998

PUBLIC UTILITIES DIVISION  
Engineering Department

The following diagram depicts a two-point Voice Grade service connecting a customer designated premises to a WATS serving office.



Applicable rate elements for Special Access are:

- Channel Termination
- Channel Mileage
- 2 Channel Mileage Terminations plus 1 section, Channel Mileage Facility per mile
- Special Access Surcharge\*

RECEIVED  
JUN 30 1998

\* May not apply if exemption certification is provided.

ILLINOIS COMMERCE COMMISSION  
CHIEF CLERK'S OFFICE

By Alan Anderson, President  
 P.O. Box 730, 300 East Monroe Street  
 Springfield, Illinois 62705  
 Issued: March 16, 1989

Section 7  
 Original Page 9  
 Effective: April 1, 1989

## ACCESS SERVICE

7. Special Access Service (Cont'd)7.1 General (Cont'd)7.1.3 Service Configurations (Cont'd)(B) Multipoint Service

Multipoint service connects three or more customer designated premises through one or more Telephone Company hubs. Only certain types of Special Access Service are provided as multipoint service. These are so designated in the descriptions for the appropriate channel.

The channel between hubs (i.e., bridging locations) on a multipoint service is a mid-link. There is no limitation on the number of mid-links available with a multipoint service. However, when more than three mid-links in tandem are provided the quality of the overall service may be degraded.

Multipoint service utilizing a customized technical specifications package, as set forth in 7.1.2 preceding and 15.2 following, will be provided when technically possible. If the Telephone Company determines that the requested characteristics for a multipoint service are not compatible, the customer will be advised and given the opportunity to change the order.

When ordering, the customer will specify the desired bridging hub(s). NATIONAL EXCHANGE CARRIER ASSOCIATION, INC. TARIFF F.C.C. NO. 4 identifies serving wire centers, hub locations and the type of bridging functions available.

Applicable Rate Elements are:

- Channel Terminations (one per customer designated premises)  
 Channel Mileage (as applicable between the serving wire center for each customer designated premises and the hub and between hubs).
- Bridging
- Additional Optional Features and Functions (when applicable).

FILED IN COMPLIANCE WITH	
<input checked="" type="checkbox"/> Order No. <u>83-0142</u>	
<input type="checkbox"/> Law	<input type="checkbox"/> Tariff Prov.
Check for Compliance	
Date <u>4-12-89</u>	
PUBLIC UTILITIES DIVISION	
ENGINEERING DEPARTMENT	

RECEIVED  
 MAR 16 1989

ILLINOIS COMMERCE COMMISSION  
 CHIEF CLERK'S OFFICE

ACCESS SERVICE

7. Special Access Service (Cont'd)

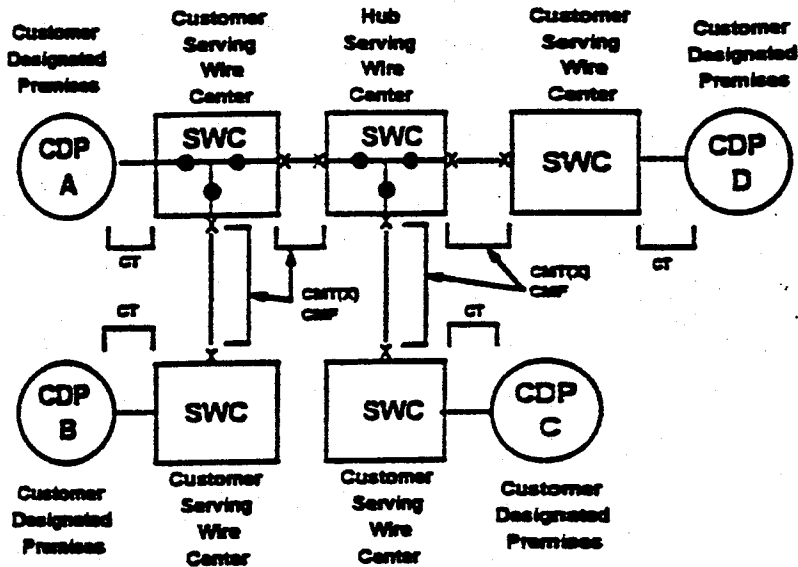
7.1 General (Cont'd)

7.1.3 Service Configurations (Cont'd)

(B) Multipoint Service (Cont'd)

The Special Access Surcharge, as set forth in 7.3 following, may be applicable.

Example: Voice Grade multipoint service connecting four customer designated premises (CDP) via two customer specified bridging hubs.



- CT - Channel Termination
- CMT - Channel Mileage Termination
- CMF - Channel Mileage Facility
- - Bridging Port

FILED IN COMPLAINTS FILE  
Order No. 90-0425  
 Law  Tariff Prov.  
CHECK FOR COMPLIANCE

**RECEIVED**  
MAY 23 1995

ILLINOIS COMMERCE COMMISSION  
CHIEF CLERK'S OFFICE

Applicable rate elements are:

- Channel Terminations (4 applicable)
- Channel Mileage
- 2 Channel Mileage Terminations per Channel Mileage Facility section for a total of 8, plus
- 4 sections, Channel Mileage Facility per mile
- Bridging Optional Feature (6 applicable, i.e., each bridge port)

JUN 6 1995

PUBLIC UTILITIES DIVISION  
Engineering Department

(T)

ACCESS SERVICE

7. Special Access Service (Cont'd)

7.1 General (Cont'd)

7.1.3 Service Configurations (Cont'd)

(C) Synchronous Optical Channel Service

FILED IN COMMERCE  
 Order No. 90-0925  
 Law  Tariff Prov.  
 CHECK FOR COMPLIANCE

MAY 11 1999

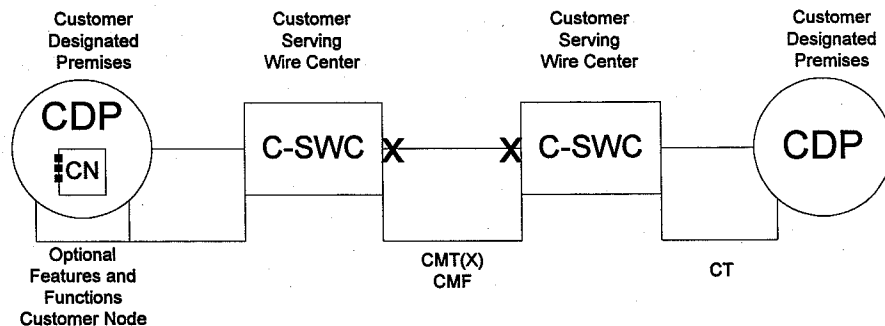
PUBLIC UTILITIES DIVISION  
 Engineering Department

A Synchronous Optical Channel Service connects two customer designated premises or a customer designated premises and a wire center equipped for Add/Drop Multiplexing. The connection is provided via a high speed optical carrier communications path delivering an optical hand-off. (C)

Applicable rate elements are:

- Channel Terminations (C)
- Channel Mileage (where applicable) (C)
- Optional Features and Functions (C)

(1) The following diagram depicts a synchronous optical channel service connecting two Customer designated Premises (CDP). The Optional Feature and Function of a Customer Node was ordered at one CDP.



CT - Channel Termination  
 CMT - Channel Mileage Termination  
 CMF - Channel Mileage Facility  
 CN - Customer Node  
 . - Customer Premises Port

Applicable rate elements are:

- Channel Terminations (C)  
 2 Channel Terminations (1 per CDP)
- Channel Mileage  
 2 Channel Mileage Termination plus  
 1 Segment Channel Mileage Facility (per mile)
- Optional Feature  
 1 Customer Node, plus  
 3 Customer Premises Ports (C)

RECEIVED  
 MAR 31 1999

ILLINOIS COMMERCE COMMISSION  
 CHIEF CLERK'S OFFICE

Issued: March 31, 1999

Effective: April 1, 1999

Issued by: ISCECA Tariff Administrator  
 2060 W. Iles, Suite A  
 Springfield, Illinois 62704

ACCESS SERVICE

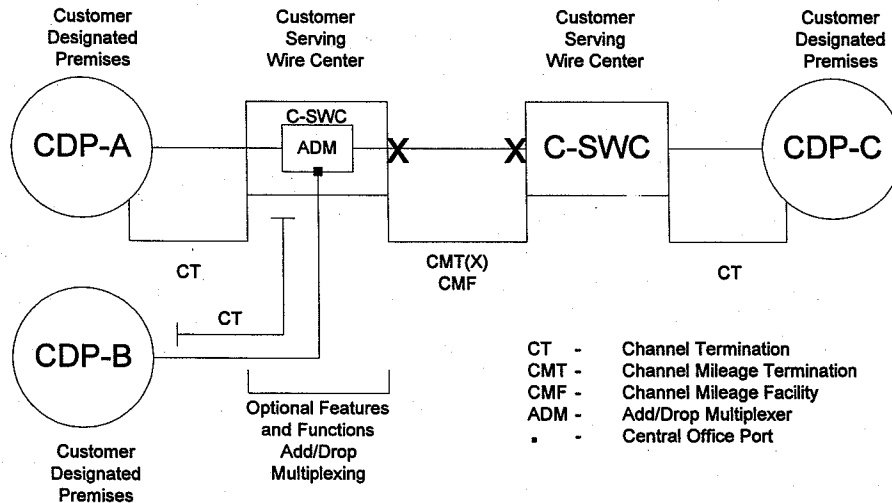
7. Special Access Service (Cont'd)

7.1 General (Cont'd)

7.1.3 Service Configurations (Cont'd)

(C) Synchronous Optical Channel Service (Cont'd)

- (2) The following diagram depicts a Synchronous Optical Channel Service connecting three Customer Designated Premises. CDP-A and CDP-B are connected using an Add/Drop Multiplexer. At the Add/Drop Multiplexer, the customer may drop off lower speed special access services. Rates and charges are as set forth in 17.3.8 and 17.3.11 following.



Applicable rate elements are:

- Channel Terminations (applicable one (1) per CDP)
- Channel Mileage
  - Channel Mileage Termination (2 applicable)
  - 1 Section, Channel Mileage Facility per mile
- Add/Drop Multiplexing Optional Feature (1 Central Office Port applicable, i.e., each port)

FILED IN COMPLIANCE WITH  
 Order No. 90-0421  
 Law  Tariff Prov.  
 CHECK FOR COMPLIANCE

JUL 22 1997

PUBLIC UTILITIES DIVISION  
 Engineering Department

RECEIVED  
 JUL 15 1997

ILLINOIS COMMERCE COMMISSION  
 CHIEF CLERK'S OFFICE

By Alan Anderson, President  
 P.O. Box 730, 300 East Monroe Street  
 Springfield, Illinois 62705  
 Issued: March 16, 1989

Section 7  
 Original Page 11  
 Effective: April 1, 1989

## ACCESS SERVICE

7. Special Access Service (Cont'd)7.1 General (Cont'd)7.1.4 Alternate Use

Alternate Use occurs when a service is arranged by the Telephone Company so that the customer can select different types of transmission at different times. A customer may use a service in any privately beneficial manner. However, where technical or engineering changes are required to effectuate an alternate use, the Telephone Company will make such special arrangements available on an individual case basis.

The arrangement required to transfer the service from one operation to the other (i.e., the transfer relay and control leads) will be rated and provided on an individual case basis and filed in Section 12. following, Specialized Service or Arrangements. The customer will pay the stated tariff rates for the Access Service rate elements for the service ordered [i.e., Channel Terminations, Channel Mileage (as applicable) and Optional Features and Functions (if any)].

7.1.5 Special Facilities Routing

A customer may request that the facilities used to provide Special Access Service be specially routed. The regulations, rates and charges for Special Facilities Routing (i.e., Avoidance, Diversity and Cable-Only) are set forth in Section 11. following.

7.1.6 Design Layout Report

At the request of the customer, the Telephone Company will provide to the customer the make-up of the facilities and services provided under this tariff as Special Access Service to aid the customer in designing its overall service. This information will be provided in the form of a Design Layout Report. The Design Layout Report will be provided to the customer at no charge, and will be reissued or updated whenever these facilities are materially changed.

FILED IN COMPLIANCE WITH	
<input checked="" type="checkbox"/> Order No. <u>83-0142</u>	
<input type="checkbox"/> Law	<input type="checkbox"/> Tariff Prov.
Check for Compliance	
<u>4-12-89</u>	
PUBLIC UTILITIES DIVISION	
ENGINEERING DEPARTMENT	

**RECEIVED**  
 MAR 16 1989

ILLINOIS COMMERCE COMMISSION  
 CHIEF CLERK'S OFFICE

ILLINOIS SMALL COMPANY EXCHANGE CARRIER ASSOCIATION  
By Alan Anderson, President  
P.O. Box 730, 300 East Monroe Street  
Springfield, Illinois 62705  
Issued: March 16, 1989

ILLINOIS C.C. NO. 1  
Section 7  
Original Page 12  
Effective: April 1, 1989

ACCESS SERVICE

7. Special Access Service (Cont'd)

7.1 General (Cont'd)

7.1.7 Acceptance Testing

At no additional charge, the Telephone Company will, at the customer's request, cooperatively test the following at the time of installation:

(A) For Voice Grade analog services, the acceptance test will include tests for loss, 3-tone slope, DC continuity, operational signaling, C-notched noise, and C-message noise when these parameters are applicable and specified in the order of service. Additionally, for Voice Grade services, a balance (improved loss) test will be made if the customer has ordered the improved loss optional feature.

(B) For other analog services (i.e., Metallic, Telegraph, Program Audio, and Video) and for digital services (i.e., Digital Data and High Capacity), acceptance tests will include tests applicable to the service as specified by the customer in the order for service.

In addition to the above tests, Additional Cooperative Acceptance Testing for Voice Grade service to test other parameters, as described in 13.3.1(B) following, is available at the customer's request. All test results will be made available to the customer upon request.

7.1.8 Ordering Options and Conditions

Special Access Service is ordered under the Access Order provisions set forth in Section 5. preceding. Also included in that section are other charges which may be associated with ordering Special Access Service (e.g., Service Date Change Charges, Cancellation Charges, etc.).

FILED IN COMPLIANCE WITH	
Order No. <u>83-0142</u>	
<input type="checkbox"/> Law	<input type="checkbox"/> Tariff Prov.
Check for Compliance	
Date <u>4-12-89</u>	
PUBLIC UTILITIES DIVISION	
ENGINEERING DEPARTMENT	

RECEIVED  
MAR 16 1989

ILLINOIS COMMERCE COMMISSION  
CLERK'S OFFICE

ACCESS SERVICE

7. Special Access Service (Cont'd)

7.2 Rate Regulations

This section contains the specific regulations governing the rates and charges that apply for Special Access.

7.2.1 Rate Categories

There are three basic rate categories which apply to Special Access Service:

- Channel Terminations (described in 7.2.1(A) following)
- Channel Mileage (described in 7.2.1(B) following)
- Optional Features and Functions (described in 7.2.1(C) following).

(A) Channel Terminations :

The Channel Termination rate category recovers the costs associated with the communications path between a customer designated premises and the serving wire center of that premises. Included as part of the Channel Termination is a standard channel interface arrangement which defines the technical characteristics associated with the type of facilities to which the access service is to be connected at the Point of Termination (POT) and the type of signaling capability, if any. The signaling capability is provided as an optional feature as set forth in (C) following.

For Synchronous Optical Channel Service the high speed optical communications path is between the Optical Line Termination (OLT) at the customer designated premises and the serving wire center of that premises.

FILED IN COMMERCE  
ORDER NO. 96-8425  
 Law  Tariff Prov.  
CHECK FOR COMPLIANCE

MAY 11 1999

PUBLIC UTILITIES DIVISION  
Engineering Department

RECEIVED  
FEB 26 1999

ILLINOIS COMMERCE COMMISSION  
CHIEF CLERK'S OFFICE

(M) Material previously appearing on 4th Revised Page 13 can now be found on Original Page 13.1.



ACCESS SERVICE

7. Special Access Service (Cont'd)

7.2 Rate Regulations (Cont'd)

7.2.1 Rate Categories (Cont'd)

(A) Channel Terminations: (Cont'd)

One Channel Termination charge applies per customer designated premises at which the channel is terminated. This charge will apply even if the customer designated premises and the serving wire center are collocated in a Telephone Company building. For a Special Access Digital Data Service 56.0 or 64.0 Kbps Bit Rate or for a 1.544 Mbps or 44.736 Mbps High Capacity Service Connecting a customer designated premises to a Public Packet Data Network Service as described in Section 16, following, there will be a charge for only one Channel Termination.

For DS3 High Capacity Service, the Channel Termination rates are made up of the DS3 Capacity Interface rate and the DS3 Channel Installed rate. The Capacity Interface rate is dependent upon the capacity ordered (i.e., Capacity Interface of 1, 3, 6 or 12) and is applicable at each customer designated premises. The capacity ordered is the maximum number of DS3 services that can be terminated on a given service at the customer designated premises (e.g., a capacity of 3 can terminate 1, 2, or 3 DS3 services). One DS3 Channel Installed rate applies per customer designated premises at which the channel is terminated for each DS3 channel that is ordered. These charges will apply even if the customer designated premises and the serving wire center are collocated in a Telephone Company building.

FILED IN COMPLIANCE WITH  
 Order No. 46-0427  
 Law  Tariff Prov.  
CHECK FOR COMPLIANCE

MAY 11 1999

PUBLIC UTILITIES DIVISION  
Engineering Department

(C)  
(C)

RECEIVED  
FEB 26 1999

ILLINOIS COMMERCE COMMISSION  
CHIEF CLERK'S OFFICE

(M) Material formerly appearing on 4th Revised Page 13 can now be found on this page.

ACCESS SERVICE

FILED IN COMPLIANCE WITH  
 Order No. 40-0425  
 Law  Tariff Prov.  
CHECK FOR COMPLIANCE

JUL 22 1997

PUBLIC UTILITIES DIVISION  
Engineering Department

7. Special Access Service (Cont'd)

7.2 Rate Regulations (Cont'd)

7.2.1 Rate Categories (Cont'd)

(B) Channel Mileage

The Channel Mileage rate category recovers the costs associated with the end office equipment and the transmission facilities between the serving wire centers associated with two customer designated premises, between a serving wire center associated with a customer designated premises and a Telephone Company hub, between two Telephone Company hubs, between a serving wire center associated with a customer designated premises and a wire center equipped for Add/Drop Multiplexing (ADM) or between two ADM equipped wire centers. Channel Mileage rates are made up of the Channel Mileage Facility rate and the Channel Mileage Termination rate.

(C)  
(N)  
(N)

(1) Channel Mileage Facility

The Channel Mileage Facility rate recovers the per mile cost for the transmission path which extends between the Telephone Company serving wire centers and/or hub(s) or between the Telephone Company serving wire center and another wire center equipped for Frame Relay Access Service.

The Synchronous Optical Channel Service Channel Mileage Facility provides high speed transmission facilities between the Telephone Company serving wire centers or between a Telephone Company serving wire center and another wire center equipped for Add/Drop Multiplexing (ADM) or between two ADM equipped wire centers.

(N)  
(N)

(2) Channel Mileage Termination

The Channel Mileage Termination rate recovers the cost for end office equipment associated with terminating the facility (i.e., basic circuit equipment and terminations at serving wire centers and hubs). The Channel Mileage Termination rate will apply at the serving wire center(s) for each customer designated premises and Telephone Company hub where the channel is terminated. If the Channel Mileage is between Telephone Company bridging hubs, the Channel Mileage Termination rate will apply per Telephone Company designated hub. If the Channel Mileage is between the serving wire center for a customer designated premises and a WATS Serving Office, the Channel Mileage Termination rate will apply at both the serving wire center associated with the customer designated premises and the WATS Serving Office. If the Channel Mileage is between the serving wire center for a customer designated premises and another wire center equipped for Frame Relay Access Service, the Channel Mileage Termination Rate will apply only at the serving wire center for the customer designated premises.

RECEIVED  
JUL 15 1997

ILLINOIS COMMERCE COMMISSION  
CHIEF CLERK'S OFFICE

(M) Material previously appearing on 1st Revised Page 14 can now be found on Original Page 14.1.

ACCESS SERVICE

7. Special Access Service (Cont'd)

7.2 Rate Regulations (Cont'd)

7.2.1 Rate Categories (Cont'd)

(B) Channel Mileage (Cont'd)

(2) Channel Mileage Termination (Cont'd)

If the Channel Mileage for Synchronous Optical Channel Service is between the serving wire center for a customer designated premises and a wire center equipped for Add/Drop Multiplexing, the Channel Mileage Termination rate will apply at both the serving wire center associated with the Customer Designated Premises and the wire center equipped for Add/Drop Multiplexing. If the Channel Mileage is between two wire centers equipped for Add/Drop Multiplexing, the Channel Mileage Termination rate will apply at both wire centers equipped for Add/Drop Multiplexing.

(N)

(N)

When the Channel Mileage Facility is zero (i.e., collocated serving wire centers), neither the Channel Mileage Facility rate nor the Channel Mileage Termination rate will apply.

(M)

(M)

FILED IN COMPLIANCE WITH  
 Order No. 90-0925  
 Law  Tariff Prov.  
CHECK FOR COMPLIANCE

JUL 22 1997

PUBLIC UTILITIES DIVISION  
Engineering Department

RECEIVED  
JUL 15 1997

ILLINOIS COMMERCE COMMISSION  
CHIEF CLERK'S OFFICE

(M) Material previously appearing on 1st Revised Page 14 can now be found on this page.

ACCESS SERVICE

- 7. Special Access Service (Cont'd)
- 7.2 Rate Regulations (Cont'd)
- 7.2.1 Rate Categories (Cont'd)

RECEIVED  
JUN 10 1998

ILLINOIS COMMERCE COMMISSION  
CHIEF CLERK'S OFFICE

(C) Optional Features and Functions

The Optional Features and Functions rate category recovers the costs associated with optional features and functions which may be added to a Special Access Service to improve its quality or utility to meet specific communications requirements. These are not necessarily identifiable with specific equipment, but rather represent the end result in terms of performance characteristics which may be obtained. These characteristics may be obtained by using various combinations of equipment. Although the equipment necessary to perform a specified function may be installed at various locations along the path of the service, they will be charged for as a single rate element.

Examples of Optional Features and Functions that are available include, but are not limited to, the following:

- Signaling Capability
- Hubbing Functions
- Conditioning
- Transfer Arrangements

Descriptions for each of the available Optional Features and Functions are set forth in 7.4 through 7.11 following.

(T)

A hub is a Telephone Company designated serving wire center at which bridging or multiplexing functions are performed. The bridging functions performed are to connect three or more customer designated premises in a multipoint arrangement. The multiplexing functions are to channelize analog or digital facilities to individual services requiring a lower capacity or bandwidth.

FILED IN COMPLIANCE WITH  
 Order No. 96-0420  
 Law  Tariff Prov.  
CHECK FOR COMPLIANCE

SEP 14 1998

PUBLIC UTILITIES DIVISION  
Engineering Department

NATIONAL EXCHANGE CARRIER ASSOCIATION, INC. TARIFF F.C.C. NO. 4 identifies serving wire centers, hub locations, hub level (i.e., Hub, Terminus Hub, Intermediate Hub, or Super-Intermediate Hub) and the type of bridging or multiplexing functions available. Additionally, subtending wire centers are identified for Intermediate and Super-Intermediate Hubs.

Issued: June 10, 1998

Effective: June 11, 1998

Issued by: ISCECA Tariff Administrator  
2060 W. Iles, Suite A  
Springfield, Illinois 62704

By Alan Anderson, President  
P.O. Box 730, 300 East Monroe Street  
Springfield, Illinois 62705  
Issued: March 16, 1989

Section 7  
Original Page 16  
Effective: April 1, 1989

## ACCESS SERVICE

7. Special Access Service (Cont'd)7.2 Rate Regulations (Cont'd)7.2.2 Types of Rates and Charges

There are three types of rates and charges. These are monthly rates, daily rates and nonrecurring charges. The rates and charges are described as follows:

(A) Monthly Rate

Monthly rates are recurring rates that apply each month or fraction thereof that a Special Access Service is provided. For billing purposes, each month is considered to have 30 days.

(B) Daily Rates

Daily rates are recurring rates that apply to each 24 hour period or fraction thereof that a Program Audio or Video Special Access Service is provided for part-time use. For purposes of applying daily rates, the 24 hour period is not limited to a calendar day.

Part-time Video or Program Audio Service provided within a consecutive 30 day period will be charged the daily rate, not to exceed the monthly rate. For each day or partial day after a consecutive 30 day period of service, a charge equal to 1/30th of the monthly rate shall apply.

FILED IN COMPLIANCE WITH	
# Order No.	<u>83-0142</u>
<input type="checkbox"/> Law	<input type="checkbox"/> Tariff Prov.
Check for Compliance	
Date	<u>4-12-89</u>
PUBLIC UTILITIES DIVISION	
ENGINEERING DEPARTMENT	

RECEIVED  
MAR 16 1989

ILLINOIS COMMERCE COMMISSION  
CHIEF CLERK'S OFFICE

ACCESS SERVICE

7. Special Access Service (Cont'd)

7.2 Rate Regulations (Cont'd)

7.2.2 Types of Rates and Charges (Cont'd)

(C) Nonrecurring Charges

Nonrecurring charges are one-time charges that apply for specific work activity (i.e., installation or change to an existing service). The types of nonrecurring charges that apply for Special Access Service are: installation of service, installation of optional features and functions, and service rearrangements. These charges are in addition to the Access Order Charge as specified in 17.4.1 following.

(1) Installation of Service

Nonrecurring charges apply to each service installed. The nonrecurring charges for the installation of service are set for each channel type as a nonrecurring charge for the Channel Termination.

2) Installation of Optional Features and Functions

When optional features and functions are installed coincident with the initial installation of service, no separate nonrecurring charge is applicable. When optional features and functions are installed or changed subsequent to the installation of service, an Access Order Charge as specified in 17.4.1 following will apply per order.

FILED IN COMPLIANCE WITH	
<input checked="" type="checkbox"/> Order No. <u>83-0142</u>	
<input type="checkbox"/> Law	<input type="checkbox"/> Tariff Prov.
Check for Compliance	
Date <u>4-12-89</u>	
PUBLIC UTILITIES DIVISION	
ENGINEERING DEPARTMENT	

RECEIVED  
MAR 16 1989

ILLINOIS COMMERCE COMMISSION  
CHIEF CLERK'S OFFICE

ACCESS SERVICE

7. Special Access Service (Cont'd)

7.2 Rate Regulations (Cont'd)

7.2.2 Types of Rates and Charges (Cont'd)

(C) Nonrecurring Charges (Cont'd)

(3) Service Rearrangements

Service rearrangements are changes to existing (installed) services which may be administrative only in nature, as set forth following, or that involve actual physical change to the service. Changes to pending orders are set forth in 5.4 preceding.

Changes in the physical location of the point of termination or customer designated premises are moves as set forth in 7.2.3 following.

Changes in the type of Service or Channel Termination which result in a change of the minimum period requirement will be treated as a discontinuance of the service and an installation of a new service.

Changes in ownership or transfer of responsibility from one customer to another will be treated as a discontinuance of the service and an installation of a new service. In the event the change in ownership or transfer of responsibility is as set forth in 2.1.2(A) preceding where there is no change in facilities or arrangements, the change will be treated as an administrative change.

FILED IN COMPLIANCE WITH	
<input checked="" type="checkbox"/> Order No. <u>83-0142</u>	<input type="checkbox"/> Tariff Prov.
<input type="checkbox"/> Law	Check for Compliance
Date <u>4-12-89</u>	
PUBLIC UTILITIES DIVISION	
ENGINEERING DEPARTMENT	

RECEIVED  
MAR 16 1989

ILLINOIS COMMERCE COMMISSION  
CHIEF CLERK'S OFFICE

ACCESS SERVICE

7. Special Access Service (Cont'd)

7.2 Rate Regulations (Cont'd)

7.2.2 Types of Rates and Charges (Cont'd)

(C) Nonrecurring Charges (Cont'd)

(3) Service Rearrangements (Cont'd)

Administrative changes will be made without charge(s) to the customer. Administrative changes are as follows:

- Change of customer name,
- Change of customer or customer's end user premises address when the change of address is not a result of physical relocation of equipment,
- Change in billing data (name, address, or contact name or telephone number),
- Change of agency authorization,
- Change of customer circuit identification,
- Change of billing account number,
- Change of customer test line number,
- Change of customer or customer's end user contact name or telephone number, and
- Change of jurisdiction.

(T)

All other service rearrangements will be charged as follows:

- If the change involves the addition of other customer designated premises to an existing service, the nonrecurring charge for the channel termination rate element will apply. The charge(s) will apply only for the location(s) that is being added. The charge(s) will be in addition to an Access Order Charge as set forth in 17.4.1 following.

RECEIVED

MAY 23 1995

ILLINOIS COMMERCE COMMISSION  
CHIEF CLERK'S OFFICE

FILED IN COMPLAINT NO. 111  
 Order No. 90-0425  
 Law  Tariff Prov  
CHECK FOR COMPLIANCE

JUN 6 1995

PUBLIC UTILITIES DIVISION  
Engineering Department



ACCESS SERVICE

7. Special Access Service (Cont'd)

7.2 Rate Regulations (Cont'd)

7.2.2 Types of Rates and Charges (Cont'd)

(C) Nonrecurring Charges (Cont'd)

(3) Service Rearrangements (Cont'd)

- If the change involves the addition of an optional feature or function (with the exception of the addition of Clear Channel Capability to an existing service), or if the change involves changing the type of signaling on a Voice Grade service, and for all other changes the Access Order Charge as set forth in 17.4.1 following will apply. (C)

- When the Clear Channel Capability optional feature is installed on an existing facility, the addition will be treated as a discontinuance and start of service and all associated non-recurring charges will apply. (N)

- If the change involves the addition of an optional feature or function, or if the change involves changing the type of signaling on a Voice Grade service, and for all other changes, the Access Order Charge as set forth in 17.4.1 following will apply. (N)

7.2.3 Moves

A move involves a change in the physical location of one of the following:

- The Point of Termination at the customer's premises
- The customer's premises

The charges for the move are dependent on whether the move is to a new location within the same building or to a different building.

(M)  
|  
(M)

FILED IN COMPLIANCE WITH  
Order No. 83-0142  
CHECK FOR COMPLIANCE  Tariff Prov.

DEC 15 1992

PUBLIC UTILITIES DIVISION  
Engineering Department

RECEIVED  
DEC 10 1992

ILLINOIS COMMERCE COMMISSION  
CHIEF CLERK'S OFFICE

ACCESS SERVICE

7. Special Access Service (Cont'd)

7.2 Rate Regulations (Cont'd)

7.2.3 Moves (Cont'd)

(A) Moves Within the Same Building

When the move is to a new location within the same building, the charge for the move will be an amount equal to one half of the nonrecurring (i.e., installation) charge for the service termination affected. There will be no change in the minimum period requirements. This charge is in addition to the Access Order Charge as specified in 17.4.1 following.

(B) Moves To a Different Building

Moves to a different building will be treated as a discontinuance and start of service and all associated nonrecurring charges will apply. New minimum period requirements will be established for the new services. The customer will also remain responsible for satisfying all outstanding minimum period charges for the discontinued service.

7.2.4 Minimum Periods

The minimum service period for all services except part-time Video and Program Audio services, DS3 High Capacity Service and Synchronous Optical Channel Service is one month and the full monthly rate will apply to the first month. Adjustments for the quantities of services established or discontinued in any billing period beyond the minimum period are as set forth in 2.4.1(F) preceding. The minimum service period for part-time Video and Program Audio services is a continuous 24-hour period, not limited to a calendar day. The minimum service period for DS3 High Capacity Service and Synchronous Optical Channel Service is 12 months.

(C)  
(T)  
(C)  
(C)

FILED IN COMPLIANCE WITH  
 Order No. 96-2425  
 Law  Tariff Prov.  
CHECK FOR COMPLIANCE

JUL 22 1997

PUBLIC UTILITIES DIVISION  
Engineering Department

RECEIVED  
JUL 15 1997

ILLINOIS COMMERCE COMMISSION  
CHIEF CLERK'S OFFICE

ACCESS SERVICE

7. Special Access Service (Cont'd)

7.2 Rate Regulations (Cont'd)

7.2.5 Mileage Measurement

The mileage to be used to determine the monthly rate for the Channel Mileage Facility is calculated on the airline distance between the locations involved, i.e.,

- the serving wire centers associated with two customer designated premises,
- a serving wire center associated with a customer designated premises and a Telephone Company hub,
- a serving wire center associated with a customer designated premises and a wire center equipped for Frame Relay Access Service,
- two Telephone Company hubs,
- a serving wire center associated with a customer designated premises and a wire center equipped for Add/Drop Multiplexing,
- two wire centers equipped for Add/Drop multiplexing,
- or between the serving wire center associated with a customer designated premises and a WATS Serving Office.

The serving wire center associated with a customer designated premises is the serving wire center from which this customer designated premises would normally obtain dial tone.

Mileage charges are shown with each channel type. To determine the rate to be billed, first compute the mileage using the V&H coordinates method, as set forth in the NATIONAL EXCHANGE CARRIER ASSOCIATION, INC. TARIFF F.C.C NO 4, then multiply the resulting number of miles time the Channel Mileage Facility per mile rate, and add the Channel Mileage Termination rate for each termination. When the calculation results in a fraction of a mile, always round up to the next whole mile before determining the mileage and applying the rates. When more than one Telephone Company is involved in the provision of service, billing will be accomplished as set forth in 2.4.7 preceding.

(T)  
(T)  
(N)  
—  
(N)

FILED IN COMPLIANCE WITH  
 Order No. 90-0925  
 Law  Tariff Prov.  
CHECK FOR COMPLIANCE

JUL 22 1997

PUBLIC UTILITIES DIVISION  
Engineering Department

RECEIVED  
JUL 15 1997

ILLINOIS COMMERCE COMMISSION  
CHIEF CLERK'S OFFICE

ACCESS SERVICE

FILED IN COMPLIANCE WITH  
 Order No. 90-0425  
 Law  Tariff Prov.  
CHECK FOR COMPLIANCE

JUL 22 1997

PUBLIC UTILITIES DIVISION  
Engineering Department

7. Special Access Service (Cont'd)

7.2 Rate Regulations (Cont'd)

7.2.5 Mileage Measurement (Cont'd)

When hubs are involved, mileage is computed and rates applied separately for each section of the Channel Mileage, i.e.,

- customer designated premises serving wire center to hub,
- hub to hub and/or
- hub to customer designated premises serving wire center.

However, when any service is routed through a hub for purposes other than customer specified bridging or multiplexing (e.g., the Telephone Company chooses to so route for test access purposes), rates will be applied only to the distance calculated between the serving wire centers associated with the customer designated premises.

See the service configuration example for multipoint service as set forth in 7.1.3(B) preceding.

When Add/Drop Multiplexing is offered in connection with Synchronous Optical Channel Service, mileage is computed and rates applied separately for each section of the Channel Mileage, i.e.,

- customer designated premises serving wire center to an Add/Drop Multiplexing (ADM) equipped wire center,
- ADM equipped wire center to ADM equipped wire center,
- ADM equipped wire center to a customer designated premises serving wire center.

(N)  
|  
(N)

7.2.6 Facility Hubs

A customer has the option of ordering Voice Grade service or High Capacity services (i.e., DS1, DS1C, DS2, DS3 or DS4) to a facility hub for channelizing to individual services requiring lower capacity facilities (e.g., Telegraph, Voice, Program Audio, etc.).

Different locations may be designated as hubs for different facility capacities, e.g., multiplexing from digital to digital may occur at one location while multiplexing from digital to analog may occur at a different location. When placing an Access Order the customer will specify the desired hub.

NATIONAL EXCHANGE CARRIER ASSOCIATION, INC., TARIFF F.C.C. NO. 4 identifies serving wire centers, hub locations, hub level (i.e., Hub, Terminus Hub, Intermediate Hub, or Super-Intermediate Hub) and the type of multiplexing functions available. Additionally, subtending wire centers are identified for Intermediate and Super-Intermediate Hubs.

RECEIVED  
JUL 15 1997

ILLINOIS COMMERCE COMMISSION  
CHIEF CLERK'S OFFICE

By Alan Anderson, President  
 P.O. Box 730, 300 East Monroe Street  
 Springfield, Illinois 62705  
 Issued: March 16, 1989

Section 7  
 Original Page 24  
 Effective: April 1, 1989

## ACCESS SERVICE

7. Special Access Service (Cont'd)7.2 Rate Regulations (Cont'd)7.2.6 Facility Hubs (Cont'd)

Some of the types of multiplexing available include the following:

- from higher to lower bit rate
- from higher to lower bandwidth
- from high capacity to voice frequency channels.

Point to point services may be provided on channels of these services to a hub. The transmission performance for the point to point service provided between customer designated premises will be that of the lower capacity or bit rate. For example, when a 1.544 Mbps channel is multiplexed to voice frequency channels, the transmission performance of the channelized services will be Voice Grade, not High Capacity.

The Telephone Company will commence billing the monthly rate for the service to the hub on the date specified by the customer on the Access Order. Individual channels utilizing these services may be installed coincident with the installation of the service to the hub or may be ordered and/or installed at a later date, at the option of the customer. The customer will be billed for a Voice Grade or a High Capacity Channel Termination, Channel Mileage (when applicable), and the multiplexer at the time the service is installed. Individual service rates (by service type) will apply for a Channel Termination and additional Channel Mileage (as required) for each channelized service. These will be billed to the customer as each individual service is installed.

Cascading multiplexing occurs when a High Capacity service is de-multiplexed to provide channels with a lesser capacity and one of the lesser capacity channels is further de-multiplexed. For example, a 6.312 Mbps High Capacity service is de-multiplexed to four DS1 channels and then one of the DS1 channels is further de-multiplexed to 24 individual Voice Grade Channels.

**RECEIVED**  
 MAR 16 1989

ILLINOIS COMMERCE COMMISSION  
 CHIEF CLERK'S OFFICE

FILED IN COMPLIANCE WITH

\* Order No. 83-0142

Tariff Prov.

Check for Compliance

Date 4-12-89

PUBLIC UTILITIES DIVISION

ENGINEERING DEPARTMENT

ACCESS SERVICE

7. Special Access Service (Cont'd)

7.2 Rate Regulations (Cont'd)

7.2.6 Facility Hubs (Cont'd)

When cascading multiplexing is performed, whether in the same or a different hub, a charge for the additional multiplexing unit also applies. When cascading multiplexing is performed at different hubbing locations, Channel Mileage charges also apply between the hubs.

The Telephone Company will designate hubs for Program Audio and Video Services. Full-time or part-time service may be provided between customer designated premises or between a customer designated premises and a hub and billed accordingly at the monthly rates set forth in 17.3.5 and 17.3.6 following for a Channel Termination, Channel Mileage and Optional Features and Functions, as applicable. When the service is ordered to a hub, the customer may order full-time or part-time Video and Program Audio Services as needed between that hub and additional customer designated premises. The rate elements required to provide the part-time service (i.e., Channel Termination, Channel Mileage and Optional Features and Functions, as applicable) will be billed at daily rates for the duration of the service requested.

(T)

RECEIVED

MAY 23 1995

ILLINOIS COMMERCE COMMISSION  
CHIEF CLERK'S OFFICE

FILED IN COMPLIANCE WITH  
 Order No. 90-045  
 Law  Tariff Prov  
CHECK FOR COMPLIANCE

JUN 6 1995

PUBLIC UTILITIES DIVISION  
Engineering Department



ACCESS SERVICE

FILED IN COMPLIANCE WITH  
 Order No. 90-0420  
 Law  Tariff Prov.  
CHECK FOR COMPLIANCE

JUL 30 1999

7. Special Access Service (Cont'd)

7.2 Rate Regulations (Cont'd)

7.2.7 Mixed Use (Cont'd)

PUBLIC UTILITIES DIVISION (C)  
Engineering Department

As each individual channel of a Special Access High Capacity Service is activated for Switched Access Service, Special Access Channel Termination, Channel Mileage, and Multiplexing rates will be reduced accordingly (e.g., 1/24th for a DS1 service, 1/672nd for a DS3 service). (C)

Similarly, as each individual channel of a Special Access Synchronous Optical Channel Service is activated for Switched Access Service, the Special Access Channel Termination, Channel Mileage, Customer Node, Customer Premises Port, and Add/Drop Multiplexing rates will be reduced accordingly (e.g., 1/2016th for an OC3 service, 1/8064th for an OC12 service). (N)

If the Special Access charges for the mixed use facility are subject to Optional Rate Plan discounts (e.g., Term Discount Optional Rate Plan) as set forth in 7.2.8 following, the Special Access charges will be reduced to reflect mixed use before the Optional Rate Plan discounts are applied. (N)

Switched Access Service rates and charges, as set forth in 17.2 following, will apply for each channel that is used to provide a Switched Access Service. The Switched Access Service Entrance Facility charge will be reduced by multiplying its rate by a rate reduction factor (i.e., the ratio of derived Switched Access Service channels to the total number of channels that can be derived). If the Telephone Company is providing Direct Trunked Transport, then the Direct Trunked Transport, Multiplexing, Customer Node, Customer Premises Port, and Add/Drop Multiplexing charges will be reduced by multiplying their respective rates by the rate reduction factor. (C)

The following table shows the total voice grade equivalents for each of the services that may be used for Mixed Use. (N)

High Capacity or Synchronous Optical Channel Service	DS3 Quantities	DS1 Quantities	Voice Grade Equivalents
DS1	n/a	1	24
DS3	1	28	672
OC3	3	84	2,016
OC12	12	336	8,064

The customer must place an order for each individual Switched or Special Access Service utilizing the Mixed Use Facilities and specify the channel assignment for each such service. (M)

(M) Certain material previously appearing on 5th Revised Page 27 can now be found on 5th Revised Page 27.1.

RECEIVED  
JUN 29 1999

ILLINOIS COMMERCE COMMISSION  
CHIEF CLERK'S OFFICE



By Glenn Rauh, President

Section 7

5th Revised Page 27.1

Cancels 4th Revised Page 27.1

ACCESS SERVICE

FILED IN COMPLIANCE WITH  
Order No. 90-0428  
 Law  Tariff Prov.  
CHECK FOR COMPLIANCE

7. Special Access Service (Cont'd)

JUL 30 1999

7.2 Rate Regulations (Cont'd)

7.2.8 Optional Rate Plans

PUBLIC UTILITIES DIVISION  
Engineering Department

(M)

There are two Optional Rate Plans: a High Capacity Optional Rate Plan and a Synchronous Optional Channel Service Optional Rate Plan.

(A) High Capacity Optional Rate Plans

There are two High Capacity Optional Rate plans: a Term Discount plan and a Capacity Discount plan.

The Term Discount plan applies to Special Access DS1 and DS3 High Capacity Service Channel Termination, Channel Mileage Facility and Channel Mileage Termination monthly rates, as set forth following. The current monthly rates for such services are reduced by a fixed percentage. The amount of the discount percentage differs based on the length of the service commitment period selected by the customer. The Term Discount percentages for High Capacity Service are as set forth in 17.3.8 following.

Discounts for the Term Discount plan are only applied to High Capacity Service provided to a customer within the same state and LATA by the same Telephone Company.

Discount for the Capacity Discount plan are only applied to Special Access DS3 High Capacity Service Channel Termination monthly rates as set forth in 17.3.8 following.

(M)

(M) Certain material previously appearing on 5th Revised Page 27 can now be found this page.

RECEIVED  
JUN 29 1999

ILLINOIS COMMERCE COMMISSION  
CHIEF CLERK'S OFFICE

ACCESS SERVICE

7. Special Access Service (Cont'd)

7.2 Rate Regulations (Cont'd)

7.2.8 Optional Rate Plans (Cont'd)

(A) High Capacity Optional Rate Plans (Cont'd)

(1) Terms Discounts (Cont'd)

To be included in a Term Discount plan, all eligible High Capacity rate elements must be ordered for the same commitment term (i.e., all 36 months or all 60 months) and with the same service date. When additional capacity is subsequently added, it will be available only on a month-to-month basis unless the discount period of the entire service is upgraded.

Eligible DS1 or DS3 High Capacity rate elements are those Channel Terminations, Channel Mileage Facility and Channel Mileage Terminations provided to a customer within the same state and LATA by the same Telephone Company. As long as the number of DS1s or DS3s included in a Term Discount plan remains constant, customer requests to install and disconnect DS1 or DS3 services, including changes affecting different wire centers and/or customer designated premises, will not change the current Term Discount period or the minimum service period, and Discontinuance of Service charges as set forth in (3) following will not apply.

(a) Upgrades in Term Discounts

Services provided under monthly rates or Term Discount rates may be upgraded to a Term Discount plan at any time without incurring Channel Termination nonrecurring charges or discontinuance charges for existing services. The new Term Discount plan must meet or exceed the service term of the plan being upgraded. For example, a service with a 36 month commitment period may be upgraded to a new 36 month, or 60 month service period. The monthly rates will be those that are in effect at the time the service is upgraded. A new minimum service period applies to all High Capacity Service that is upgraded.

FILED IN COMPLIANCE WITH  
 Order No. 90-0425  
 Law  Tariff Prov.  
CHECK FOR COMPLIANCE

JUL 22 1997

PUBLIC UTILITIES DIVISION  
Engineering Department

RECEIVED  
JUL 15 1997

ILLINOIS COMMERCE COMMISSION  
CHIEF CLERK'S OFFICE

ACCESS SERVICE

7. Special Access Service (Cont'd)

7.2 Rate Regulations (Cont'd)

7.2.8 Optional Rate Plans (Cont'd)

(A) High Capacity Optional Rate Plans (Cont'd)

(1) Terms Discounts (Cont'd)

(b) Upgrades in Capacity (DS1 to DS3)

(C)  
|  
(C)

If the customer chooses to upgrade a service under the Term Discount rate plan to a higher capacity (i.e., DS1 to DS3), discontinuance charges will not apply, provided all the following conditions are met:

- the customer's order for the disconnect of the existing DS1 Service and the installation of the new DS3 Service are received at the same time and specifically reference the application of upgrade in capacity,
- the customer's disconnect order for the existing DS1 Service must reference the DS3 Service installation order,
- the new service has a total voice equivalent channel capacity greater than the total voice equivalent channel capacity of the service being discontinued and,
- the new Term Discount period meets or exceeds the Term Discount period being discontinued.

A new minimum service period applies to all upgrades. Channel Termination nonrecurring charges for an equivalent channel capacity of the existing services being upgraded to the higher speed service will not be assessed. For example, 30 DS1 Services are being upgraded to DS3 Service. A capacity of 3 is installed at the customer's request. A total of 2 DS3 Channel rate elements will be installed without Channel Termination nonrecurring charges being assessed, as it will require 2 DS3 Channel rate

FILED IN COMPLIANCE WITH  
 Order No. 90-0425  
 Law  Tariff Prov.  
CHECK FOR COMPLIANCE

JUL 22 1997

PUBLIC UTILITIES DIVISION  
Engineering Department

RECEIVED  
JUL 15 1997

ILLINOIS COMMERCE COMMISSION  
CHIEF CLERK'S OFFICE

ACCESS SERVICE

7. Special Access Service (Cont'd)

7.2 Rate Regulations (Cont'd)

7.2.8 Optional Rate Plans (Cont'd)

(A) High Capacity Optional Rate Plans (Cont'd)

(1) Terms Discounts (Cont'd)

(b) Upgrades in Capacity (DS1 to DS3) (Cont'd)

elements to provide the equivalent channel capacity of the existing services. Channel Termination nonrecurring charges will not apply to the upgraded lower speed services placed on the higher speed service if requested at the same time as the upgrade request. Channel Termination nonrecurring charges will apply for capacity that exceeds the existing equivalent channel capacity.

Should the customer choose to upgrade either a portion of, or the entire DS1 Service under the Term Discount plan to a DS3 Service and move the service to a new customer location(s) within the same state and LATA, and when service is provided by the same telephone company, discontinuance charges will not apply.

(c) Discontinuance of Service

If the customer chooses to disconnect all or a portion of the service prior to the expiration of the Term Discount period, discontinuance charges will apply to the portion of the service being discontinued.

Should the customer choose to discontinue a Term Discount plan prior to the completion of the minimum service period, discontinuance charges will apply. Discontinuance charges equal to one-hundred percent of the total undiscounted monthly rates, less any amounts previously paid, will apply for the minimum service period. Additionally, discontinuance charges of fifteen percent for DS1 service, and fifty percent for DS3 service, of the total undiscounted monthly charges will apply to the remaining

FILED IN COMPLIANCE WITH  
 Order No. 90-6425  
 Law  Tariff Prov.  
CHECK FOR COMPLIANCE

JUL 22 1997

PUBLIC UTILITIES DIVISION  
Engineering Department

RECEIVED  
JUL 15 1997

ILLINOIS COMMERCE COMMISSION  
CHIEF CLERK'S OFFICE

ACCESS SERVICE

7. Special Access Service (Cont'd)

7.2 Rate Regulations (Cont'd)

7.2.8 Optional Rate Plans (Cont'd)

(A) High Capacity Optional Rate Plans (Cont'd)

(1) Terms Discounts (Cont'd)

(c) Discontinuance of Service (Cont'd)

Should the customer choose to discontinue service ordered under a Term Discount plan after the minimum service period but before the completion of the discount period, discontinuance charges will apply. Discontinuance charges of fifteen percent for DS1 Service, and fifty percent for DS3 Service, of the total undiscounted monthly charges will apply to the remaining portion of the discount period. For example, a customer has a DS1 Service which it chooses to discontinue after 33 months into a 60-month service term. The discontinuance charge would be 0.15 times 27 months times the undiscounted monthly rates for that service.

(2) DS3 Capacity Discounts

The DS3 Capacity Discount Plan offers discounted rates for capacities of 3, 6, and 12 High Capacity Systems. The DS3 Capacity Discount is only available to those customers that had this plan in place prior to February 1, 1997. Existing customers subscribing to this option may continue their current service for the duration of their term discount period. Any DS3 Capacity Discount Plan will expire no later than February 1, 2002.

This plan is not available to customers requesting this option after February 1, 1997.

Capacity Discounts apply only to DS3 Channel Terminations (i.e., DS3 Capacity Interfaces and DS3 Channels are Installed). DS3 Capacity Discounts are available as part of, or separate from Term Discount plans. When a DS3 Capacity Discount Plan exists in conjunction with a Term Discount Plan, the DS3 Channel Terminations must all be under the same month-to-month rate or Term Discount Plan with the same service period and service date.

The Capacity Interface cannot be disconnected until all of the DS3 Channels Installed are disconnected.

High Capacity Channel Mileage Facility and Channel Mileage Termination charges will apply as required Per DS3 Channel Installed. Capacity Discounts will not apply to these rate elements.

FILED IN COMPLIANCE WITH  
 Order No. 90-8425  
 Law  Tariff Prov.  
CHECK FOR COMPLIANCE

JUL 22 1997

PUBLIC UTILITIES DIVISION  
Engineering Department

(C)  
|  
(C)

(C)  
(N)  
|  
(N)

(C)  
|  
(C)  
(T)  
|  
(D)  
(C)  
(T)

RECEIVED  
JUL 15 1997

ILLINOIS COMMERCE COMMISSION  
CHIEF CLERK'S OFFICE

ACCESS SERVICE

7. Special Access Service (Cont'd)

7.2 Rate Regulations (Cont'd)

7.2.8 Optional Rate Plans (Cont'd)

(A) High Capacity Optional Rate Plans (Cont'd)

(2) DS3 Capacity Discounts (Cont'd)

Capacity Discounts will only apply on DS3 Channel Terminations ordered between a serving wire center and customer location, over the same route. Channel Terminations associated with facilities provided between the same serving wire center and customer location via a second or alternate route will not be included as part of the same Capacity Discount plan as the primary route.

The minimum service period for all Capacity Discount plans is twelve months.

(a) Conversion from DS3 Capacity Discounts to Synchronous Optical Channel Service

Customers that subscribe to the DS3 Capacity Discount plan may convert to Synchronous Optical Channel Service (SOCS). Discontinuance charges will not apply if all the following conditions are met:

- the customer's order for the disconnect of the current DS3 service and order for the installation of SOCS are received by the telephone company at the same time and,
- the customer's disconnect order for the existing DS3 service must reference the new SOCS order,
- the new service has a DS3 Capacity no larger than the Capacity Interface of the discount plan or plans being discontinued and,
- the term discount period for any applicable DS3 capacity Discount Plan with an associated Term Discount Plan must be reestablished or upgraded at the time of conversion to SOCS.

FILED IN COMPLIANCE WITH  
 Order No. 96-0925  
 Law  Tariff Prov.  
CHECK FOR COMPLIANCE

JUL 22 1997

PUBLIC UTILITIES DIVISION  
Engineering Department

RECEIVED  
JUL 15 1997

ILLINOIS COMMERCE COMMISSION  
CHIEF CLERK'S OFFICE

(C)  
—  
(C)

(D)  
—  
(D)  
(N)

(N)

ACCESS SERVICE

7. Special Access Service (Cont'd)

7.2 Rate Regulations (Cont'd)

7.2.8 Optional Rate Plans (Cont'd)

(B) Synchronous Optical Channel Service Optional Rate Plan

FILED BY COMPLIANCE WITH  
 Order No. 83-0142  
 Law  Tariff Prov.  
CHECK FOR COMPLIANCE

FEB - 4 1999

PUBLIC UTILITIES DIVISION  
Engineering Department

The Synchronous Optical Channel Service Optional Rate Plan offers a Term Discount. The Term Discount applies to Channel Terminations, Channel Mileage and Optional Features and Functions monthly rates, as set forth following. The Term Discount percentages for the Synchronous Optical Channel Service Term Discount are as set forth in 17.3.11 (D) following.

Discounts for the Synchronous Optical Channel Service Optional Rate Plan are only applied to Synchronous Optical Channel Service provided to a customer within the same state and LATA by the same Telephone Company.

The Synchronous Optical Channel Service Term Discount Optional Rate Plan is only available from those Telephone Companies listed in 17.3.10(A)(1) following.

OC3/OC3c and OC12 Synchronous Optical Channel Service may be ordered at the customer's option on a monthly rate basis or for Term Discount periods of 36 months (3 years) or 60 months (5 years).

(C)

The minimum service period for all term discount plans is twelve months. The customer must specify the length of the service commitment period at the time the service is ordered.

For customers that subscribe to the Term Discount plan for 36 or 60 months, the Term Discount percentage as set forth in 17.3.11 (D) following will be frozen from Company initiated decreases, for the entire discount period at the percent in effect at the beginning of the Term Discount period.

If a Term Discount percentage increase occurs during the term of an existing Term Discount plan, the increased percentage will be applied automatically to the remainder of the current Term Discount period.

At the end of the Term Discount period, the customer may convert to month-to-month service or subscribe to a new Term Discount plan. If the customer does not make a choice by the end of the discount period, the rates will automatically convert to month-to-month service rates. The minimum service period on a monthly rate basis is twelve months for Synchronous Optical Channel Service.

RECEIVED  
NOV 13 1998

ILLINOIS COMMERCE COMMISSION  
CHIEF CLERK'S OFFICE  
Issued: November 13, 1998

Effective: November 16, 1998

Issued by: ISCECA Tariff Administrator  
2060 West Iles, Suite A  
Springfield, Illinois 62704

ACCESS SERVICE

7. Special Access Service (Cont'd)

7.2 Rate Regulations (Cont'd)

7.2.8 Optional Rate Plans (Cont'd)

(B) Synchronous Optical Channel Service Optional Rate Plan (Cont'd)

To be included in a Term Discount plan, all eligible Synchronous Optical Channel Service rate elements must be ordered for the same commitment term (i.e., all 36 months or all 60 months) and with the same service date. When additional capacity is subsequently added, it will be available only on a month-to-month basis unless the discount period of the entire service is upgraded.

Eligible OC3/OC3c or OC12 Synchronous Optical Channel Service rate elements are those Channel Terminations, Channel Mileage Facility, Channel Mileage Terminations, Customer Nodes, Customer Premises Ports and Central Office Ports provided to a customer within the same state and LATA by the same Telephone Company. As long as the number of OC3s, OC3cs or OC12s included in a Term Discount plan remains constant, customer requests to install and disconnect OC3, OC3c or OC12 services, including changes affecting different wire centers and/or customer designated premises, will not change the current Term Discount period or the minimum service period, and Discontinuance of Service charges as set forth in (3) following will not apply.

(C)

(C)

(C)

(1) Upgrades in Term Discounts

Services provided under monthly rates or Term Discount rates may be upgraded to a Term Discount plan at any time without incurring nonrecurring charges or discontinuance charges for existing services. The new Term Discount plan must meet or exceed the service term of the plan being upgraded. For example, a service with a 36 month commitment period may be upgraded to a new 36 month, or 60 month service period. The monthly rates will be those that are in effect at the time the service is upgraded. A new minimum service period applies to all Synchronous Optical Channel Service that is upgraded.

FILED IN COMPLIANCE WITH  
 Order No. 83-0142  
 Law  Tariff Prov.  
CHECK FOR COMPLIANCE

FEB - 4 1999

PUBLIC UTILITIES DIVISION  
Engineering Department

RECEIVED  
NOV 13 1998

(M) Material previously appearing on Original Page 27.8 can now be found on 1st Revised Page 27.9.

(M)

(M)

ILLINOIS COMMERCE COMMISSION  
CHIEF CLERK'S OFFICE

Issued: November 13, 1998

Effective: November 16, 1998

Issued by: ISCECA Tariff Administrator  
2060 West Iles, Suite A  
Springfield, Illinois 62704



ACCESS SERVICE

7. Special Access Service (Cont'd)

7.2 Rate Regulations (Cont'd)

7.2.8 Optional Rate Plans (Cont'd)

(B) Synchronous Optical Channel Service Optional Rate Plan (Cont'd)

(2) Upgrades in Capacity (OC3/OC3c to OC12)

(M) (C)

If the customer chooses to upgrade a service under the Term Discount rate plan to a higher capacity (i.e., OC3/OC3c to OC12), discontinuance charges will not apply, provided all the following conditions are met:

(C)

- the customer's order for the disconnect of the existing OC3/OC3c Service and the installation of the new OC12 Service are received at the same time and specifically reference the application of upgrade in capacity, (C)
- the customer's disconnect order for the existing OC3/OC3c Service must reference the OC12 installation order, (M) (C)
- the new service has a total channel capacity greater than the total channel capacity of the service being discontinued and,
- the new Term Discount period meets or exceeds the Term Discount period being discontinued.

A new minimum service period applies to all upgrades. Nonrecurring charges will not be assessed when an existing OC3/OC3c service is upgraded to an equivalent channel capacity at a higher speed. (C)

Should the customer choose to upgrade either a portion of, or the entire OC3/OC3c Service under the Term Discount plan to an OC12 Service and move the service to a new customer location(s) within the same state and LATA, and when service is provided by the same telephone company, discontinuance charges will not apply. (C)

FILED IN COMPLIANCE WITH  
 Order No. 83-0142  
 Law  Tariff Prov.  
 CHECK FOR COMPLIANCE

FEB - 4 1999

PUBLIC UTILITIES DIVISION  
Engineering Department

RECEIVED  
 NOV 13 1998

ILLINOIS COMMERCE COMMISSION  
 CHIEF CLERK'S OFFICE

Issued: November 13, 1998

Effective: November 16, 1998

Issued by: ISCECA Tariff Administrator  
 2060 West Iles, Suite A  
 Springfield, Illinois 62704

## ACCESS SERVICE

7. Special Access Service (Cont'd)7.2 Rate Regulations (Cont'd)7.2.8 Optional Rate Plans (Cont'd)(B) Synchronous Optical Channel Service Optional Rate Plan (Cont'd)(3) Discontinuance of Service

If the customer chooses to disconnect all or a portion of the service prior to the expiration of the Term Discount period, discontinuance charges will apply to the portion of the service being discontinued.

Should the customer choose to discontinue a Term Discount plan prior to the completion of the minimum service period, discontinuance charges will apply. Discontinuance charges equal to one-hundred percent of the total undiscounted monthly rates, less any amounts previously paid, will apply for the minimum service period. Additionally, discontinuance charges of fifteen percent for OC3/OC3c service, and fifty percent for OC12 service, of the total discounted monthly charges will apply to the remaining portion of the discount service term. (C)

Should the customer choose to discontinue service ordered under a Term Discount plan after the minimum service period but before the completion of the discount period, discontinuance charges will apply. Discontinuance charges of fifteen percent for OC3/OC3c Service, and fifty percent for OC12 Service, of the total undiscounted monthly charges will apply to the remaining portion of the discount period. For example, a customer has an OC3 Service which it chooses to discontinue after 33 months into a 60 month service term. The discontinuance charges would be 0.15 times 27 months times the undiscounted monthly rates for that service. (C)

RECEIVED  
NOV 13 1998

FILED IN 000-11111-1111  
 Order No. 83-0142  
 Law  Tariff Prov.  
 CHECK FOR COMPLIANCE

FEB - 4 1999

ILLINOIS COMMERCE COMMISSION  
CHIEF CLERK'S OFFICE

PUBLIC UTILITIES DIVISION  
Engineering Department

Issued: November 13, 1998

Effective: November 16, 1998

Issued by: ISCECA Tariff Administrator  
2060 West Iles, Suite A  
Springfield, Illinois 62704

ACCESS SERVICE

7. Special Access Service (Cont'd)

7.3 Surcharge for Special Access Service

7.3.1 General

Special Access Services provided under this tariff may be subject to the monthly Special Access Surcharge. (T)

7.3.2 Application

(A) The Special Access Surcharge will apply to each intrastate Special Access Service that terminates on an end user's PBX or other device, where through a function of the device, the Special Access Service interconnects to the local exchange network. Interconnection functions include, but are not limited to, wiring and software functions, bridging, switching or patching of calls or stations. The Surcharge will apply irrespective of whether the interconnection function is performed in equipment located at the customer's premises or in a Centrex CO-type switch.

(B) Special Access Service will be exempted from the Surcharge by the Telephone Company upon receipt of the customer's written certification for the following Special Access Service terminations:

- (1) an open-end termination in a Telephone Company switch of an FX line, including CCSA and CCSA-equivalent ONALs; or
- (2) an analog channel termination that is used for radio or television program transmission; or
- (3) a termination used for TELEX service; or
- (4) a termination that by the nature of its operating characteristics could not make use of Telephone Company common lines such as, terminations which are restricted through hardware or software; or

RECEIVED  
MAY 23 1995

ILLINOIS COMMERCE COMMISSION  
CHIEF CLERK'S OFFICE

FILED IN COMPLIANCE  
 Order No. 90-0925  
 Law  Tariff Prov  
CHECK FOR COMPLIANCE

JUN 6 1995

PUBLIC UTILITIES DIVISION  
Engineering Department

ACCESS SERVICE

7. Special Access Service (Cont'd)

7.3 Surcharge for Special Access Service (Cont'd)

7.3.2 Application (Cont'd)

(B) (Cont'd)

(5) a termination that interconnects either directly or indirectly to the local exchange network where the usage is subject to Carrier Common Line Charges such as, where the Special Access Service accesses only FGA and no local exchange lines, or Special Access Service between customer points of termination, or Special Access Service connecting CCSA or CCSA-type equipment (inter-machine trunks); or

(6) a termination that the customer certifies to the Telephone Company is not connected to a PBX or other device which interconnects the Special Access Service to a local exchange subscriber line.

FILED IN COMPLIANCE WITH	
<input checked="" type="checkbox"/> Order No. <u>83-0142</u>	<input type="checkbox"/> Tariff Prov.
<input type="checkbox"/> Law	<input type="checkbox"/> Tariff Prov.
Check for Compliance	
Date <u>4-12-89</u>	
PUBLIC UTILITIES DIVISION	
ENGINEERING DEPARTMENT	

7.3.3 Exemption of Special Access Service

(A) Special Access Services which are terminated as set forth in 7.3.2(B) preceding will be exempted from the Special Access Surcharge if the customer provides the Telephone Company with written exemption certification. The certification may be provided to the Telephone Company as follows:

- at the time the Special Access Service is ordered or installed;
- at such time as the service is reterminated to a device which does not interconnect the service to local exchange facilities; or
- at such time as the service becomes associated with a Switched Access Service that is subject to Carrier Common Line Charges.

RECEIVED  
MAR 16 1989

ILLINOIS COMMERCE COMMISSION  
CHIEF CLERK'S OFFICE

ACCESS SERVICE

7. Special Access Service (Cont'd)

7.3 Surcharge for Special Access Service (Cont'd)

7.3.3 Exemption of Special Access Service (Cont'd)

(T)

- (B) The exemption certification is to be provided by the customer ordering the service. The certification must be signed by the customer or authorized representative and include the category of exemption, as set forth in 7.3.2(B) preceding, for each termination, and the date which the exemption is effective.
- (C) The customer shall also notify the Telephone Company when an exempted Special Access Service is changed or reterminated such that the exemption is no longer applicable.
- (D) The Telephone Company will work cooperatively with the customer to resolve any questions regarding the exemption certification. In addition, the Telephone Company may withhold exemption of the service until the questions are resolved.

7.3.4 Rate Regulations

- (A) The surcharge will apply as set forth in 7.3.2(A) preceding, except that a surcharge will be assessed on a per voice grade equivalent basis for Special Access Services derived from High Capacity Special Access Services as illustrated in the following example:

<u>Special Access Service</u>	<u>Voice Grade Equivalent</u>	<u>Surcharge</u>	<u>Monthly Charge</u>
DS1	24	x \$25	= \$600.00

The preceding example illustrates the maximum number of surcharges applicable to a DS1. If the customer claims exemption(s) as set forth in 7.3.3 preceding or, is not utilizing all available voice grade equivalents and has spare capacity, the number of surcharges would be reduced accordingly.

In the case of multipoint Special Access Services, one Special Access Surcharge will apply for each termination of a Special Access Channel at an end user's premises.

(T)

**RECEIVED**

MAY 23 1995

ILLINOIS COMMERCE COMMISSION  
CHIEF CLERK'S OFFICE

FILED IN COMPLIANCE WITH  
 Order No. 90-0425  
 Law  Tariff Prov  
CHECK FOR COMPLIANCE

JUN 6 1995

PUBLIC UTILITIES DIVISION  
Engineering Department

ILLINOIS SMALL COMPANY EXCHANGE CARRIER ASSOCIATION  
By Alan Anderson, President  
P.O. Box 730, 300 East Monroe Street  
Springfield, Illinois 62705  
Issued: March 16, 1989

ILLINOIS C.C. NO. 1  
Section 7  
Original Page 31  
Effective: April 1, 1989

ACCESS SERVICE

7. Special Access Service (Cont'd)

7.3 Surcharge for Special Access Service (Cont'd)

7.3.4 Rate Regulations (Cont'd)

- (B) The Telephone Company will bill the appropriate Special Access Surcharge to the ordering customer for each intrastate Special Access Service installed unless exemption certification is provided as set forth in 7.3.3 preceding.
- (C) If a written certification is not received at the time the Special Access Service is obtained, the Surcharge will be applied. Exempt status will become effective on the certification date indicated by the customer, subject to the regulations set forth in (D) following.
- (D) Crediting the Surcharge

The Telephone Company will cease billing the Special Access Surcharge when certification, as set forth in 7.3.3. preceding, is received. If the status of the Special Access Service was changed prior to receipt of the exemption certification, the Telephone Company will credit the customer's account, not to exceed ninety (90) days, based on the effective date of the change as specified by the customer in the letter of certification.

RECEIVED  
MAR 16 1989

ILLINOIS COMMERCE COMMISSION  
CHIEF CLERK'S OFFICE

FILED IN COMPLIANCE WITH	
# Order No.	<u>83-0142</u>
<input type="checkbox"/> Law	<input type="checkbox"/> Tariff Prov.
Check for Compliance	
Date	<u>4-12-89</u>
PUBLIC UTILITIES DIVISION	
ENGINEERING DEPARTMENT	

## ACCESS SERVICE

7. Special Access Service (Cont'd)7.3 Surcharge for Special Access Service (Cont'd)7.4.1 Basic Channel Description

A Metallic channel is an unconditioned two-wire channel arranged to transmit direct current and capable of transmitting low speed varying signals at rates up to 30 baud. This channel is provided by metallic or equivalent facilities. Metallic channels are provided between customer designated premises or between a customer designated premises and a Telephone Company hub or hubs where bridging functions are performed. Interoffice metallic facilities will be limited in length to a total of miles per channel.

Metallic Special Access Services are typically used for applications such as alarm, pilot wire protective relaying, and dc tripping protective relaying. These examples of applications are not intended to limit a customer's use of the channel nor to imply that the channel is limited to a particular use. (T)

Rates and charges for Special Access Metallic Service are as set forth in 17.3.2 following.

7.4.2 Technical Specifications Packages and Network Channel Interfaces

Technical Specifications Packages are set forth in 15.2.1(A) following. Compatible network channel interfaces are set forth in 15.2.2(C)(1) following.

7.4.3 Optional Features and FunctionsCentral Office Bridging Capability

- (A) Three Premises Bridging - Provision of tip-to-tip and ring-to-ring connection in a central office of a metallic pair to a third customer designated premises.
- (B) Series Bridging of up to 26 customer designated premises.

The table set forth in 15.2.1(A) following shows the technical specifications packages with which the optional features and functions are available.

**RECEIVED**

MAY 23 1995

ILLINOIS COMMERCE COMMISSION  
CHIEF CLERK'S OFFICE

FILED IN 90-0025  
Order No. 90-0025  
 Law  Tariff Prov  
CHECK FOR COMPLIANCE

JUN 6 1995

PUBLIC UTILITIES DIVISION  
Engineering Department

Issued: May 23, 1995

May 24, 1995

Issued by: ISCECA Tariff Administrator  
2305 West Monroe, Suite 4  
Springfield, Illinois 62704

ACCESS SERVICE

7. Special Access Service (Cont'd)

7.5 Telegraph Grade Service

7.5.1 Basic Channel Description

Telegraph Grade channel is an unconditioned channel capable of transmitting binary signals at rates of 0-75 baud or 0-150 baud. This channel is furnished for half-duplex or duplex operation. Telegraph Grade channels are provided between customer designated premises or between a customer designated premises and a Telephone Company hub or hubs.

Telegraph Grade Special Access Services are typically used for applications such as teletypewriter, telegraph grade control/remote metering, telegraph grade channel, telegraph grade extension, and telegraph grade entrance facilities. These examples of applications are not intended to limit a customer's use of the channel nor to imply that the channel is limited to a particular use.

Rates and charges for Special Access Telegraph Grade Service are as set forth in 17.3.3 following. (T)

7.5.2 Technical Specifications Packages and Network Channel Interfaces

Technical Specifications Packages are set forth in 15.2.1(B) following. Compatible network channel interfaces are set forth in 15.2.2(C)(2) following.

7.5.3 Optional Features and Functions

Telegraph Bridging (two-wire and four-wire) (T)

The table set forth in 15.2.1(B) following shows the technical specifications packages with which the optional features and functions are available.

RECEIVED  
MAY 23 1995

ILLINOIS COMMERCE COMMISSION  
CHIEF CLERK'S OFFICE

FILED IN COMPLIANCE WITH  
Order No. 90-0425  
 Law  Tariff Prov.  
CHIEF CLERK'S OFFICE

JUN 6 1995

PUBLIC UTILITIES DIVISION  
Engineering Department



ACCESS SERVICE

7. Special Access Service (Cont'd)

7.6 Voice Grade Service

7.6.1 Basic Channel Description

A Voice Grade channel is a channel which provides voice frequency transmission capability in the nominal frequency range of 300 to 3000 Hz and may be terminated as two-wire or four-wire. Voice Grade channels are provided between customer designated premises, between a customer designated premises and a Telephone Company hub or hubs, or between a customer designated premises and a WATS Serving Office (WSO). (T)

Voice Grade Special Access Services are typically used for voice and voiceband data applications. Typical examples of voice grade circuits are Foreign Exchange lines (station end only), multipoint private line, voice trunk type, two-point voice grade data (one-way or simultaneous two-way), multipoint voice grade data, and voice grade telephoto or facsimile. These examples of applications are not intended to limit a customer's use of the channel nor to imply that the channel is limited to a particular use. (T)

Rates and charges for Special Access Voice Grade Service are as set forth in 17.3.4 following.

7.6.2 Technical Specifications Packages and Network Channel Interfaces

Technical Specifications Packages are set forth in 15.2.1(C) following. Compatible network channel interfaces are set forth in 15.2.2(C)(3) following.

7.6.3 Optional Features and Functions

(A) Central Office Bridging Capability

- (1) Voice Bridging (two-wire and four-wire)
- (2) Data Bridging (two-wire and four-wire)
- (3) Telephoto Bridging (two-wire and four-wire)
- (4) DATAPHONE Select-A-Station Bridging with sequential arrangement ports or addressable arrangement ports

RECEIVED  
MAY 23 1995

ILLINOIS COMMERCE COMMISSION  
CHIEF CLERK'S OFFICE

FILED IN  
Order No. 90-0425  
 Law  
 Tariff Prov.  
CHECK FOR COMPLIANCE

JUN 6 1995

PUBLIC UTILITIES DIVISION  
Engineering Department

ILLINOIS SMALL COMPANY EXCHANGE CARRIER ASSOCIATION  
By Alan Anderson, President  
P.O. Box 730, 300 East Monroe Street  
Springfield, Illinois 62705  
Issued: March 16, 1989

ILLINOIS C.C. NO. 1  
Section 7  
Original Page 35  
Effective: April 1, 1989

ACCESS SERVICE

7. Special Access Service (Cont'd)

7.6 Voice Grade Service (Cont'd)

7.6.3 Optional Features and Functions (Cont'd)

(A) Central Office Bridging Capability (Cont'd)

(5) Telemetry and Alarm Bridging

Split Band, Active Bridging Passive Bridging  
Summation, Active Bridging

The rates for these options are set forth in  
17.3.4(C)(1)(e) following.

(B) Central Office Multiplexing

Voice to Telegraph Grade. An arrangement that  
converts a Voice Grade channel to Telegraph Grade  
channels using frequency division multiplexing.

The rate for this option is set forth in 17.3.4(C)(5)  
following.

(C) Conditioning

Conditioning provides more specific transmission  
characteristics for Voice Grade services. The rates  
for these options are set forth in 17.3.4(C)  
following.

For two-point services, the parameters apply to each  
service as measured end-to-end. For multipoint  
services, the parameters apply as measured on each  
mid-link or as measured on each end link. C-Type  
conditioning and Data Capability may be combined on  
the same service.

RECEIVED  
MAR 16 1989

ILLINOIS COMMERCE COMMISSION  
CHIEF CLERK'S OFFICE

FILED IN COMPLIANCE WITH  
 Order No. 83-0142  
 Law  Tariff Prov.  
Check for Compliance  
Date 4-12-89  
PUBLIC UTILITIES DIVISION  
ENGINEERING DEPARTMENT

By Alan Anderson, President  
 P.O. Box 730, 300 East Monroe Street  
 Springfield, Illinois 62705  
 Issued: April 17, 1991

Section 7  
 1st Revised Page 36  
 Cancels Original Page 36  
 Effective: April 19, 1991

## ACCESS SERVICE

7. Special Access Service (Cont'd)7.6 Voice Grade Service (Cont'd)7.6.3 Optional Features and Functions (Cont'd)(C) Conditioning (Cont'd)(1) C-Type Conditioning

C-Type Conditioning is provided for the additional control of attenuation distortion and envelope delay distortion and data services. The attenuation distortion and envelope delay distortion specifications for C-Type Conditioning are delineated in Technical Reference TR-TSY-000335. (C)

(2) Improved Attenuation Distortion\*

Improved Attenuation Distortion upgrades the frequency versus loss limits of the channel. The technical specifications for Improved Attenuation Distortion are delineated in Technical Reference TR-TSY-000335. This option is available only when ordered in combination with C-Type Conditioning. (C)

3) Improved Envelope Delay Distortion\*

Improved Envelope Delay Distortion upgrades the frequency versus delay response limits of the channel. The technical specifications for Improved Envelope Delay Distortion are delineated in Technical Reference TR-TSY-000335. This option is available only when ordered in combination with C-Type Conditioning. (C)

FILED IN COMPLIANCE WITH	
Order No. <u>83-0142</u>	
<input type="checkbox"/> Law	<input type="checkbox"/> Tariff Prov.
Check for Compliance	
Date <u>5-08-91</u>	
PUBLIC UTILITIES DIVISION	
ENGINEERING DEPARTMENT	

RECEIVED

APR 17 1991

ILLINOIS COMMERCE COMMISSION  
 CHIEF CLERK'S OFFICE

\* Improved Attenuation Distortion and Improved Envelope Delay Distortion will continue to be provided to all customers who were provided with either or both of these optional features in conjunction with C-Type Conditioning prior to May 4, 1988.

By Alan Anderson, President  
P.O. Box 730, 300 East Monroe Street  
Springfield, Illinois 62705  
Issued: April 17, 1991

Section 7  
1st Revised Page 37  
Cancels Original Page 37  
Effective: April 19, 1991

ACCESS SERVICE

7. Special Access Service (Cont'd)

7.6 Voice Grade Service (Cont'd)

7.6.3 Optional Features and Functions (Cont'd)

(C) Conditioning (Cont'd)

(4) Data Capability (D Conditioning)

Data Capability provides transmission characteristic suitable for data communications. Specially, Data Capability provides for the control of Signal to C-Notched Noise Ratio and intermodulation distortion. It is available for two-point services or three-point multipoint services.

The Signal to C-Notched Noise Ratio and intermodulation distortion parameter for Data Capability are delineated in Technical Reference TR-TSY-000335. The rate for this option is set forth in 17.3.4(C)(2) following. (C)

When a service equipped with Data Capability is used for voice communications, the quality of the voice transmission may not be satisfactory.

(5) Telephoto Capability

Telephoto Capability provides transmission characteristics suitable for telephotographic communications. Specifically, Telephoto Capability is provided for the control of attenuation distortion and envelope delay distortion on telephotographic services. The attenuation distortion and envelope delay distortion parameters for Telephoto Capability are delineated in Technical Reference TR-TSY-000335. The rate for this option is set forth in 17.3.4(C)(2) following. (C)

(6) Sealing Current Conditioning

Sealing Current Conditioning is provided to help maintain continuity on dry metallic loops. It is usually associated with four-wire DA or NO type network channel interfaces.

FILED IN COMPLIANCE WITH  
Order No. 83-0142  
 Law  Tariff Prov.  
Check for Compliance  
Date 5-08-91  
PUBLIC UTILITIES DIVISION  
ENGINEERING DEPARTMENT

RECEIVED

APR 17 1991

ILLINOIS COMMERCE COMMISSION  
CHIEF CLERK'S OFFICE

By Alan Anderson, President

Section 7

P.O. Box 730, 300 East Monroe Street

3rd Revised Page 38

Springfield, Illinois 62705

Cancels 2nd Revised Page 38

Issued: April 17, 1991

Effective: April 19, 1991

ACCESS SERVICE

7. Special Access Service (Cont'd)

7.6 Voice Grade Service (Cont'd)

7.6.3 Optional Features and Functions (Cont'd)

(D) Customer Specified Premises Receive Level

This option allows the customer to specify the receive level at the Point of Termination. The level must be within a specific range on effective four-wire transmission. The ranges are delineated in Technical Reference TR-TSY-000335. The rate for this option is set forth in 17.3.4(C)(4) following. (C)

(E) Improved Return Loss

(1) On Effective Four-wire Transmission at Four-Wire Point of Termination (applicable to each two-wire port): Provides for a fixed 600 ohm impedance, variable level range and simplex reversal. Telephone Company equipment is required at the customer's premises where this option is ordered. The Improved Return Loss parameters are delineated in Technical Reference TR-TSY-000335. The rate for this option is set forth in 17.3.4(C)(3) following. (C)

(2) On Effective Two-Wire Transmission at Two-Wire Point of Termination: Provides for more stringent Echo Control specifications. In order for this option to be applicable, the transmission path must be four-wire at one POT and two-wire at the other POT. Placement of Telephone Company equipment may be required at the customer's premises with the two-wire POT. The Improved Return Loss parameters are delineated in Technical Reference TR-TSY-000335. The rate for this option is set forth in 17.3.4(C)(3) following. (C)

FILED IN COMPLIANCE WITH	
*Order No. <u>83-0142</u>	
<input type="checkbox"/> Law	<input type="checkbox"/> Tariff Prov.
Check for Compliance	
Date <u>5-08-91</u>	
PUBLIC UTILITIES DIVISION	
ENGINEERING DEPARTMENT	

RECEIVED

APR 17 1991

ILLINOIS COMMERCE COMMISSION  
CHIEF CLERK'S OFFICE

By Alan Anderson, President  
P.O. Box 730, 300 East Monroe Street  
Springfield, Illinois 62705  
Issued: April 17, 1991

Section 7  
1st Revised Page 39  
Cancels Original Page 39  
Effective: April 19, 1991

ACCESS SERVICE

7. Special Access Service (Cont'd)

7.6 Voice Grade Service (Cont'd)

7.6.3 Optional Features and Functions (Cont'd)

(F) Signaling Capability

Signaling Capability provides for the ability to transmit signals from one customer premises to another customer premises on the same service. The rate for this option is set forth in 17.3.4(C)(6) following.

The following network channel interfaces for Voice Grade service do not require signaling capability: AH, DA, DB, DD, DE, DS, NO, PR AND TF.

The following network channel interfaces for Voice Grade service require signaling capability: AB, AC, CT, DX, DY, EA, EB, EC, EX, GO, GS, LA, LB, LC, LO, LR, LS, RV AND SF. The signalling capability charge will not apply when used in the provision of WATS access service.

(N)  
|  
(N)

(G) Selective Signaling Arrangement

An arrangement that permits code selective ringing for up to ten codes on a multipoint service. The rate for this option is set forth in 17.3.4(C)(7) following.

FILED IN COMPLIANCE WITH	
Order No.	<u>83-0142</u>
<input type="checkbox"/> Law	<input type="checkbox"/> Tariff Prov.
Check for Compliance	
Date	<u>5-08-91</u>
PUBLIC UTILITIES DIVISION	
ENGINEERING DEPARTMENT	

RECEIVED

APR 17 1991

ILLINOIS COMMERCE COMMISSION  
CHIEF CLERK'S OFFICE

ACCESS SERVICE

7. Special Access Service (Cont'd)

7.6 Voice Grade Service (Cont'd)

7.6.3 Optional Features and Functions (Cont'd)

(H) Transfer Arrangement

An arrangement that affords the customer an additional measure of flexibility in the use of an access channel(s). The arrangement can be utilized to transfer a leg of a Special Access Service to another channel that terminates in either the same or a different customer premises. A key activated or dial-up control service is required to operate the transfer arrangement. A spare channel, if required, is not included as part of the option. The rate for this option is set forth in 17.3.4(C)(8) following.

(I) Public Packet Switching Network (PPSN) Interface Arrangement

An arrangement that provides the interface requirements that permit a Voice Grade service to interface with a Public Packet Switching Network packet switch located in a Telephone company premises. The interface is compatible with X.25 and X.75 packet switching protocols as defined by the CCITT. This option is provided on an Individual Case Basis as set forth in 17.3.4(C)(9) following.

(J) Four-Wire/Two-Wire Conversions

When a customer request that an effective four-wire channel be terminated with a two-wire channel interface at the customer designated premises, a four-wire to two-wire conversion is required. The customer will be charged the four-wire Channel Termination rate as set forth in 17.3.4(A) following when an effective four-wire is specified in the order for service. The rate for the conversion is included as part of the basic four-wire Channel Termination rate.

RECEIVED  
MAR 16 1989

ILLINOIS COMMERCE COMMISSION  
CHIEF CLERK'S OFFICE

FILED IN COMPLIANCE WITH	
# Order No. <u>83-0142</u>	
<input type="checkbox"/> Law	<input type="checkbox"/> Tariff Prov.
Check for Compliance	
Date <u>4-12-89</u>	
PUBLIC UTILITIES DIVISION	
ENGINEERING DEPARTMENT	

ACCESS SERVICE

7. Special Access Service (Cont'd)

7.6 Voice Grade Service (Cont'd)

7.6.3 Optional Features and Functions (Cont'd)

(K) Improved Two-wire Voice Transmission

(1) Loss Deviation

The maximum Loss Deviation of the 1004 Hz loss relative to the Expected Measured Loss (EML) is -4.0 dB to +4.0 dB.

(2) Attenuation Distortion

The maximum Attenuation Distortion in the 404 to 280 Hz frequency band relative to loss at 1004 Hz is -2.0 dB to +6.0 dB.

(3) C-Message Noise

The maximum C-Message Noise for the transmission path at the route miles listed is less than:

<u>Route Miles</u>	<u>C-Message Noise</u>
less than 50	35 dBrnc0
51 to 100	37 dBrnc0
101 to 200	40 dBrnc0
201 to 400	43 dBrnc0
401 to 1000	45 dBrnc0

(4) Return Loss

The Return Loss, expressed as Echo Return Loss (ERL) and Singing Return Loss (SRL), is equal to or greater than:

ERL	13.0 dB
SRL	6.0 dB

FILED IN COMPLIANCE WITH	
* Order No. <u>83-0142</u>	
<input type="checkbox"/> Law	<input type="checkbox"/> Tariff Prov.
Check for Compliance	
Date <u>4-12-89</u>	
PUBLIC UTILITIES DIVISION	
ENGINEERING DEPARTMENT	

RECEIVED  
MAR 16 1989

ILLINOIS COMMERCE COMMISSION  
CHIEF CLERK'S OFFICE

The rate for the provision of Improved Two-Wire Voice Transmission is included as part of the basic Channel Termination rate.



By Alan Anderson, President  
 P.O. Box 730, 300 East Monroe Street  
 Springfield, Illinois 62705  
 Issued: March 16, 1989

Section 7  
 Original Page 42  
 Effective: April 1, 1989

## ACCESS SERVICE

7. Special Access Service (Cont'd)7.7 Program Audio Service7.7.1 Basic Channel Description

A Program Audio channel is a channel with bandwidth measured in Hz for the transmission of a complex signal voltage. The actual bandwidth is a function of the channel interface selected by the customer. Only one-way transmission is provided. Program Audio channels are provided between customer designated premises or between a customer designated premises and a Telephone Company hub or hubs.

Program Audio Special Access services are typically used in full-time and part-time applications for radio broadcasting, noncommercial educational audio, and wired music. These examples of applications are not intended to limit a customer's use of the channel nor to imply that the channel is limited to a particular use.

Rates and charges for Special Access Program Audio Service as set forth in 17.3.5 following.

7.7.2 Technical Specifications Packages and Network Channel Interfaces

Technical Specifications Packages are set forth in 15.2.1(D) following. Compatible network channel interfaces are set forth in 15.2.2(C)(4) following.

7.7.3 Optional Features and Functions(A) Central Office Bridging Capability

Distribution Amplifier

(B) Gain Conditioning

Control of 1004 Hz AML at initiation of service to  
 0 dB  $\pm$  0.5 dB.

FILED IN COMPLIANCE WITH	
<input checked="" type="checkbox"/> Order No. <u>83-0142</u>	
<input type="checkbox"/> Law	<input type="checkbox"/> Tariff Prov.
Check for Compliance	
<u>4-12-89</u>	
PUBLIC UTILITIES DIVISION	
ENGINEERING DEPARTMENT	

**RECEIVED**  
 MAR 16 1989

ILLINOIS COMMERCE COMMISSION  
 CHIEF CLERK'S OFFICE

By Alan Anderson, President  
P.O. Box 730, 300 East Monroe Street  
Springfield, Illinois 62705  
Issued: March 16, 1989

Section 7  
Original Page 43  
Effective: April 1, 1989

ACCESS SERVICE

7. Special Access Service (Cont'd)

7.7 Program Audio Service (Cont'd)

7.7.3 Optional Features and Functions (Cont'd)

(C) Stereo

Provision of a pair of gain/phase equalized channels for stereo applications. (An additional Program Audio channel must be ordered separately.)

The table set forth in 15.2.1(D) following shows the technical specifications packages with which the optional features and functions are available.

FILED IN COMPLIANCE WITH	
<input checked="" type="checkbox"/> Order No. <u>83-0142</u>	
<input type="checkbox"/> Law	<input type="checkbox"/> Tariff Prov.
Check for Compliance	
Date <u>4-12-89</u>	
PUBLIC UTILITIES DIVISION	
ENGINEERING DEPARTMENT	

RECEIVED  
MAR 16 1989

ILLINOIS COMMERCE COMMISSION  
CHIEF CLERK'S OFFICE

By Alan Anderson, President  
P.O. Box 730, 300 East Monroe Street  
Springfield, Illinois 62705  
Issued: March 16, 1989

Section 7  
Original Page 44  
Effective: April 1, 1989

ACCESS SERVICE

7. Special Access Service (Cont'd)

7.8 Video Service

7.8.1 Basic Channel Description

A Video channel is a channel with one-way transmission capability for a standard 525 line/60 field monochrome, or National Television Systems Committee color, video signal and one or two associated 5 or 15 kHz audio signal(s). The associated audio signal(s) may be either diplexed or provided as one or two separate channels. The provision and the bandwidth of the associated audio signal(s) is a function of the channel interface selected by the customer. Video channels are provided between customer designated premises or between a customer designated premises and a Telephone Company hub or hubs.

Rates and charges for Special Access Video Service are as set forth in 17.3.6 following.

7.8.2 Technical Specifications Packages and Network Channel Interfaces

Technical Specifications Packages are set forth in 15.2.1(E) following. Compatible network channel interfaces are set forth in 15.2.2(C)(5) following.

The following network channel interfaces (NCIs) define the bandwidth and the provision of the audio signal(s) associated with a Video channel:

RECEIVED  
MAR 16 1989

ILLINOIS COMMERCE COMMISSION  
CHIEF CLERK'S OFFICE

<u>NCI</u>	<u>Audio Bandwidth</u>	<u>Provision</u>
2TV6-1	15kHz	1 Channel, diplexed
2TV6-2	15kHz	2 Channels, diplexed
2TV7-1	15kHz	1 Channel, diplexed
2TV7-2	15kHz	2 Channels, diplexed
4TV6-5	5kHz	1 Channel, separate
4TV6-15	15kHz	1 Channel, separate
4TV7-5	5kHz	1 Channel, separate
4TV7-15	15kHz	1 Channel, separate
6TV6-5	5kHz	2 Channels, separate
6TV6-15	15kHz	2 Channels, separate
6TV7-5	5kHz	2 Channels, separate
6TV7-15	15kHz	2 Channels, separate

FILED IN COMPLIANCE WITH

Order No. 83-0142

Law  Tariff Prov.

Check for Compliance

4-12-89

ENGINEERING DEPARTMENT

ACCESS SERVICE

7. Special Access Service (Cont'd)

7.9 Digital Data Service

7.9.1 Basic Channel Description

A Digital Data Channel is a channel for duplex four-wire transmission of synchronous serial data at the rate of 2.4, 4.8, 9.6, 19.2, 56.0, or 64.0 Kbps.\* The actual bit rate is a function of the channel interface selected by the customer. The channel provides a synchronous service with timing provided by the Telephone Company though the Telephone Company's facilities to the customer in the received bit stream. Digital Data channels are provided as either hubbed or non-hubbed services between customer designated premises or between a customer designated premises and a Telephone Company hub or hubs. The hubs providing hubbed digital service and the wire centers providing non-hubbed digital service are identified in National Exchange Carrier Association, Inc., Wire Center Information, Tariff F.C.C. No. 4. (C)

FILED IN COMPLIANCE WITH  
 Order No. 83-0142  
 Law  Tariff Prov.  
CHECK FOR COMPLIANCE

DEC 15 1992

PUBLIC UTILITIES DIVISION  
Engineering Department

The customer may provide the Channel Service Unit type equipment or other Network Channel Terminating Equipment associated with the Digital Data channel at the customer premises.

The Telephone Company will provide a channel capable of meeting a monthly average performance equal to or greater than 99.875% error-free seconds (if provided through a Digital Data hub) while the channel is in service, if it is measured through a CSU equivalent which is designed, manufactured, and maintained to conform with the specifications contained in Technical Reference PUB 62310.

Rates and charges for Special Access Digital Data Service are as set forth in 17.3.7 following.

7.9.2 Technical Specifications Packages and network Channel Interfaces

Technical specifications Packages are set forth in 15.2.1(F) following. Compatible channel interfaces are set forth in 15.2.2(C)(6) following.

\* When 64.0 Kbps service is multiplexed on a DS1 High Capacity service, the DS1 must be equipped to provide Clear Channel Capability.

(M) Certain regulations formerly appearing on this page now appear on 2nd Revised Page 46

(M)  
|  
(M)  
  
(N)  
(N)

RECEIVED  
DEC 10 1992

ILLINOIS COMMERCE COMMISSION  
CHIEF CLERK'S OFFICE

ACCESS SERVICE

7. Special Access Service (Cont'd)

7.9 Digital Data Service (Cont'd)

7.9.2 Technical Specifications Packages and Network Channel Interfaces (Cont'd)

The following network channel interfaces (NCIs) define the bit rates that are available for a Digital Data channel:

<u>NCI</u>	<u>Bit Rate</u>
DU-24	2.4 Kbps
DU-48	4.8 Kbps
DU-96	9.6 Kbps
DU-19	19.2 Kbps
DU-56	56.0 Kbps
DU-64	64.0 Kbps

RECEIVED  
JUN 24 1996

ILLINOIS COMMERCE COMMISSION  
CHIEF CLERK'S OFFICE

7.9.3 Optional Features and Functions

The Optional Features and Functions described in (A), (B), and (C) following are only available where Digital Data Service is provided via a hub. The Optional Features and Functions described in (D) following are available where Digital Data Service is provided on a non-hubbed basis

FILED IN COMPLIANCE WITH (N)  
 Order No. 90-0425 (N)  
 Law  Tariff Prov.  
CHECK FOR COMPLIANCE

(A) Central Office Bridging Capability

Bridging is not available on a 64.0 Kbps channel.

(B) Transfer Arrangement

An arrangement that affords the customer an additional measure of protection and/or flexibility in the use of their access channel(s) on a 1xN basis. The arrangement can be utilized to transfer a leg of a Special Access Service to either a spare or working channel that terminates in either the same or a different customer designated premises. This arrangement is only available at a Telephone Company designated hub. A key activated or dial-up control service is required to operate the transfer arrangement. A spare channel, if required, is not included as a part of the option.

(C) Public Package Switching Network (PPSN) Interface Arrangement

An arrangement that provides the interface requirements that permit a Digital Data Service to interface with a Public Packet Switching Network packet switch located

JUL 08 1996

PUBLIC UTILITIES DIVISION  
Engineering Department

By Glenn Rauh, President

Section 7

3rd Revised Page 47

Cancels 2nd Revised Page 47

ACCESS SERVICE

FILED IN ORDER NO. 83-0142  
 Order No.  Tariff Prov.  
 Law  
CHECK FOR COMPLIANCE

7. Special Access Service (Cont'd)

7.9 Digital Data Service (Cont'd)

FEB - 4 1999

7.9.3 Optional Features and Functions (Cont'd)

PUBLIC UTILITIES DIVISION  
Engineering Department

(C) Public Package Switching Network (PPSN) Interface Arrangement (Cont'd)

in a Telephone Company premises. The interface is compatible with X.25 and X.75 packet switching protocols as defined by the CCITT.

The table set forth in 15.2.1(F) following shows the technical specifications packages with which the optional features and functions are available.

7.10 High Capacity Service

7.10.1 Basic Channel Description

A High Capacity channel is a channel for the transmission of nominal 64.0 Kbps\* or 1.544, 3.152, 6.312, 44.736, or 274.176 Mbps isochronous serial data. The actual bit rate is a function of the channel interface selected by the customer. High Capacity channels are provided between customer designated premises or between a customer designated premises and a Telephone Company hub or hubs. (T)

The customer may provide the Network Channel Terminating Equipment associated with the High Capacity channel at the customer's premises.

A channel with technical specifications package HC1 will be capable of an error-free second performance of 98.75% over a continuous 24 hour period as measured at the 1.544 Mbps rate through a CSU equivalent which is designed, manufactured, and maintained to conform with the specifications contained in Technical Reference PUB 62411.

Rates and charges for Special Access High Capacity Service are as set forth in 17.3.8 following.

\* Available only as a channel of a 1.544 Mbps facility to a Telephone Company Digital Data hub or as a cross connect of two 2.4, 4.8, 9.6, 56.0 Company Digital Data hub or as a cross connect of two 2.4, 4.8, 9.6, 56.0 or 64.0 Kbps channels of two 1.544 Mbps facilities to a Digital Data hub(s). The customer must provide system and channel assignment data.

RECEIVED  
NOV 13 1998

Issued: November 13, 1998

Issued by: ISCEC CHIEF CLERK OFFICE  
ILLINOIS COMMERCE COMMISSION Effective: November 16, 1998  
2060 West Iles, Suite A  
Springfield, Illinois 62704

ILLINOIS SMALL COMPANY EXCHANGE CARRIER ASSOCIATION  
By Alan Anderson, President  
P.O. Box 730, 300 East Monroe Street  
Springfield, Illinois 62705  
Issued: March 16, 1989

ILLINOIS C.C. NO. 1  
Section 7  
Original Page 48  
Effective: April 1, 1989

ACCESS SERVICE

7. Special Access Service (Cont'd)

7.10 High Capacity Service (Cont'd)

7.10.2 Technical Specifications Packages and Network Channel Interfaces

Technical Specifications Packages are set forth in 15.2.2(G) following. Compatible channel interfaces are set for in 15.2.2(C)(7) following.

The following network channel interfaces (NCIs) define the bit rates that are available for a High Capacity channel:

<u>NCI</u>	<u>Bit Rate</u>
DS-15*	1.544 Mbps (DS1)
DS-27	274.176 Mbps (DS4)
DS-31	3.152 Mbps (DS1C)
DS-44	44.736 Mbps (DS3)
DS-63	6.312 Mbps (DS2)

FILED IN COMPLIANCE WITH  
Order No. 83-0142  
N  Tariff Prov.  
Check for Compliance  
Date 4-12-89  
PUBLIC UTILITIES DIVISION  
ENGINEERING DEPARTMENT

RECEIVED  
MAR 16 1989

ILLINOIS COMMERCE COMMISSION  
CHIEF CLERK'S OFFICE

\* A 64.0 Kbps channel is available as a channel(s) of a 1.544 Mbps channel to a Telephone Company hub.

ILLINOIS SMALL COMPANY EXCHANGE CARRIER ASSOCIATION  
By Alan Anderson, President  
P.O. Box 730, 300 East Monroe Street  
Springfield, Illinois 62705  
Issued: March 16, 1989

ILLINOIS C.C. NO. 1  
Section 7  
Original Page 49  
Effective: April 1, 1989

ACCESS SERVICE

7. Special Access Service (Cont'd)

7.10 High Capacity Service (Cont'd)

7.10.3 Optional Features and Functions

(A) Automatic Loop Transfer

The Automatic Loop Transfer provides protection on a 1xN basis against failure of the facilities between a customer designated premises and the wire center serving that premises. Protection is furnished through the use of a switching arrangement that automatically switches to a spare channel line when a working line fails. The spare channel is not included as a part of the option. This option requires compatible equipment at both the serving wire center and the customer designated premises. The customer is responsible for providing the equipment at its designated premises. Equipment at the customer designated premises will be provided under tariff only if it existed in the Telephone Company inventory as of November 18, 1983.

(B) Transfer Arrangement

An arrangement that afford the customer an additional measure of flexibility in the use of their access channel(s). The arrangement can be utilized to transfer a leg of a Special Access Service to either a spare or working channel that terminates in either the same or a different customer designated premises. A key activated or dial-up control service is required to operate the transfer arrangement. A spare channel, if required, is not included as part of the option.

FILED IN COMPLIANCE WITH	
Order No. <u>83-0142</u>	<input checked="" type="checkbox"/> Law
	<input type="checkbox"/> Tariff Prov.
Date <u>4-12-89</u>	Check for Compliance
PUBLIC UTILITIES DIVISION	
ENGINEERING DEPARTMENT	

RECEIVED  
MAR 16 1989

ILLINOIS COMMERCE COMMISSION  
CHIEF CLERK'S OFFICE



ACCESS SERVICE

7. Special Access Service (Cont'd)

7.10 High Capacity Service (Cont'd)

7.10.3 Optional Features and Functions (Cont'd)

(C) Central Office Multiplexing

(1) DS4 to DS1

An arrangement that converts a 274.176 Mbps channel to 168 DS1 channels using digital time division multiplexing.

(2) DS3 to DS1

An arrangement that converts a 44.736 Mbps channel to 28 DS1 channels using digital time division multiplexing.

(3) DS2 to DS1

An arrangement that converts a 6.312 Mbps channel to four DS1 channels using digital time division multiplexing.

(4) DS1C to DS1

An arrangement that converts a 3.152 Mbps channel to two DS1 channels using digital time division multiplexing.

(5) DS1 to Voice

An arrangement that converts a 1.544 Mbps channel to 24 channels for use with Voice Grade Services. A channel(s) of this DS1 to the Hub can also be used for a Digital Data Service.

(6) DS1 to DS0

An arrangement that converts a 1.544 Mbps channel to 23 64.0 Kbps channels utilizing digital time division multiplexing.

FILED IN COMPLIANCE WITH	
<input checked="" type="checkbox"/> Order No. <u>83-0142</u>	
<input type="checkbox"/> Law	<input type="checkbox"/> Tariff Prov.
Check for Compliance	
Date <u>4-12-89</u>	
PUBLIC UTILITIES DIVISION	
ENGINEERING DEPARTMENT	

RECEIVED  
MAR 16 1989

ILLINOIS COMMERCE COMMISSION  
CHIEF CLERK'S OFFICE

ACCESS SERVICE

7. Special Access Service (Cont'd)

7.10 High Capacity Service (Cont'd)

7.10.3 Optional Features and Functions (Cont'd)

(C) Central Office Multiplexing (Cont'd)

(7) DS0 to Subrate

An arrangement that converts a 64.0 Kbps channel to subspeeds of up to twenty 2.4 Kbps, ten 4.8 Kbps, or five 9.6 Kbps channels using digital time division multiplexing.

The table set forth in 15.2.1(G) following shows the technical specifications packages with which the optional features and functions are available.

(D) Clear Channel Capability (CCC)

(1) CCC is an arrangement that allows a customer to transport 1.536 Mbps information rate signals over a 1.544 Mbps High Capacity channel or over a 1.544 Mbps High Capacity channel derived from a multiplexed 44.736 Mbps High Capacity channel with no constraint on the quantity or sequence of one and zero bits. This arrangement requires the customer signal at the channel interface to conform to Bipolar with Eight Zero Substitution (B8ZS) line code as described in Technical Reference TR-NPL-000054 and Technical Reference TR-INS-000342. (T)

(2) CCC is provided, subject to availability of facilities, on DS1/1.544 Mbps High Capacity channels between two customer designated premises and on multiplexed DS3/44.736 Mbps High Capacity channels or multiplexed DS1/1.544 Mbps High Capacity channels\* between a Telephone Company hub office and a customer designated premises. The wire centers providing CCC are identified in NATIONAL EXCHANGE CARRIER ASSOCIATION, INC., WIRE CENTER INFORMATION, TARIFF F.C.C. NO. 4. (T)

RECEIVED

MAY 23 1995

ILLINOIS COMMERCE COMMISSION  
CHIEF CLERK'S OFFICE

FILED IN CHARGE  
Order No. 90-0425  
 Law  Tariff Prov.  
CHECK FOR COMPLIANCE

JUN 6 1995

PUBLIC UTILITIES DIVISION  
Engineering Department

\* Available only on a DS1-to-digital multiplexed configuration

ACCESS SERVICE

7. Special Access Service (Cont'd)

7.10 High Capacity Service (Cont'd)

7.10.3 Optional Features and Functions (Cont'd)

(D) Clear Channel Capability (CCC) (Cont'd)

- (3) The CCC optional feature may be ordered at the same time the High Capacity service is ordered or it may be ordered as an addition to an existing High Capacity Service. The customer must agree to out-of-service periods required to add this feature to an existing High Capacity Service. The charges for the CCC optional feature are as set forth in 7.2.2(C)(3) preceding.

RECEIVED  
JUN 10 1998

ILLINOIS COMMERCE COMMISSION  
CHIEF CLERK'S OFFICE

(M)

FILED IN COMPLIANCE WITH  
 Order No. 90-8425  
 Law  Tariff Prov.  
CHECK FOR COMPLIANCE

SEP 14 1998

PUBLIC UTILITIES DIVISION  
Engineering Department

(M)

(M) Certain material previously appearing on 2nd Revised Page 7-52 can now be found on Original Page 7-52.2 and 7-52.3.

ACCESS SERVICE

7. Special Access Service (Cont'd)

7.10 High Capacity Service (Cont'd)

7.10.3 Optional Features and Functions (Cont'd)

(E) Shared SONET Ring Interoffice Transport

RECEIVED  
JUN 10 1998

ILLINOIS COMMERCE COMMISSION  
CHIEF CLERK'S OFFICE (N)

- (1) Shared SONET Ring Interoffice Transport (SSRIT) is a non-chargeable optional feature which provides interoffice transmission of a DS3 High Capacity Service over a SONET-based facility deployed in a ring configuration. Shared SONET Ring Interoffice Transport provides increased reliability and functionality using a self-healing ring topology designed to continually monitor service quality, detect any failure within the system, and automatically self-heal within 50 milliseconds around the point of failure by switching to a protect path to ensure the flow of service between locations within the self-healing ring.
- (2) Shared SONET Ring Interoffice Transport is provided for the interoffice portion of DS3 High Capacity Service, subject to availability of SONET ring facilities. The wire centers offering Shared SONET Ring Interoffice Transport are identified in NATIONAL EXCHANGE CARRIER ASSOCIATION, INC., WIRE CENTER INFORMATION, TARIFF F.C.C. NO. 4.
- (3) The Shared SONET Ring Interoffice Transport optional feature may be ordered at the same time the DS3 High Capacity service is ordered or it may be ordered as an addition to an existing DS3 High Capacity Service. The customer must agree to out-of-service periods required to add this feature to an existing DS3 High Capacity Service. The charges for the Shared SONET Ring Interoffice Transport optional feature are as set forth in 7.2.2(C)(3) preceding.

(N)

FILED IN COMPLIANCE WITH  
 Order No. 98-0428  
 Law  Tariff Prov.  
CHECK FOR COMPLIANCE

SEP 14 1998

PUBLIC UTILITIES DIVISION  
Engineering Department

ACCESS SERVICE

7. Special Access Service (Cont'd)

FILED IN COMPLIANCE WITH  
 Order No. 90-847  
 Law  Tariff Prov.  
CHECK FOR COMPLIANCE

7.10 High Capacity Service (Cont'd)

MAY 11 1999

7.11 Synchronous Optical Channel Service

PUBLIC UTILITIES DIVISION  
Engineering Department

7.11.1 Basic Channel Description

A Synchronous Optical Channel Service channel provides dedicated transport utilizing Synchronous Optical Network (SONET) transmission standards. Synchronous Optical Channel Service provides optical network capability to customers requiring connections at transmission rates of 155.52 Mbps (OC3) and 622.08 Mbps (OC12). Synchronous Optical Channel Service is provided between two customer designated premises (CDP) through one or more Telephone Company wire centers or between a CDP and a wire center equipped for Add/Drop Multiplexing (ADM). In addition, customers at an ADM equipped wire center may add or drop bandwidth capacity from the synchronous optical channel for delivery to a customer premises, WATS office, Public Packet Data Network Service, or another wire center.

(C)  
(C)  
(C)  
(C)

Each channel will be configured with one working and one protect fiber pair within the same sheath between the CDP and the serving wire center of the CDP which provides redundancy to protect the customer's service. Should a failure occur, the SONET technology will automatically switch the customer's transmission to the dedicated protect fiber pair.

The customer may provide node and port equipment at the CDP which allows the high speed optical carrier channel to be converted to an electrical signal at a lower speed. The provision of such equipment by the customer is subject to compatibility with the Telephone Company's equipment in the serving wire center and must comply with the standards specified in GR-334-CORE.

The OC3 channel is available in a non-concatenated format (OC3) which provides three individual signals. The OC3 channel is also available in a concatenated format (OC3c) which provides a single signal appropriate for data transmissions.

(C)  
(C)  
(C)

RECEIVED  
MAR 31 1999

ILLINOIS COMMERCE COMMISSION  
CHIEF CLERK'S OFFICE

ACCESS SERVICE

7. Special Access Service (Cont'd)

7.10 High Capacity Service (Cont'd)

7.11 Synchronous Optical Channel Service

7.11.1 Basic Channel Description

RECEIVED  
JUN 10 1998

ILLINOIS COMMERCE COMMISSION  
CHIEF CLERK'S OFFICE

A term discount is available for Synchronous Optical Channel Service rate elements and optional features and functions. The term discount period for any applicable DS3 Capacity Discount Plan with an associated Term Discount Plan must be reestablished or upgraded at the time of conversion to Synchronous Optical Channel Service. A term discount is only available from those Telephone Companies listed in 17.3.10(A)(1) following. Section 7.2.8 (B) preceding specifies the conditions under which a term discount is applicable.

Synchronous Optical Channel Service is available at wire centers as identified in National Exchange Carrier Association, Inc. Tariff F.C.C. No. 4.

Rates and charges for Synchronous Optical Channel Service are as set forth in 17.3.11 following.

Any customer converting from an existing DS3 Capacity Discount Plan to Synchronous Optical Channel Service will not incur nonrecurring charges provided the conditions specified in 7.2.8 (A) (2) preceding are met.

(M)

(C)

(M)

(M)

(M)

FILED IN COMPLIANCE WITH  
 Order No. 90-0925  
 Law  Tariff Prov.  
CHIEF CLERK'S OFFICE

SEP 14 1998

PUBLIC UTILITIES DIVISION  
Engineering Department

(M) Certain material formerly appearing on 2nd Revised Page 7-52 and Original Page 7-53 can now be found on this page.

ACCESS SERVICE

7. Special Access Service (Cont'd)

7.11 Synchronous Optical Channel Service (Cont'd)

7.11.2 Network Channel Interfaces

Compatible channel interfaces for Synchronous Optical Channel Service are as set forth in 15.2.2 (C) (8) following.

The following network channel interfaces (NCIs) define the bit rates that are available for a synchronous optical channel:

NCI	Bit Rate
FCF-B	155.52 Mbps (OC3, OC3c)
FCF-D	622.08 Mbps (OC12)

FILED IN COMPLIANCE WITH  
 Order No. 90-0425  
 Law  Tariff Prov.  
 CHECK FOR COMPLIANCE

MAY 11 1999

7.11.3 Optional Features and Functions

(A) Customer Node

PUBLIC UTILITIES DIVISION  
Engineering Department

The Customer Node charge applies when the Telephone Company provides terminal equipment at the customer designated premises for termination of a Synchronous Optical Channel Service Channel Termination. The Customer Node charge is determined by the level of optical service (i.e., OC3, OC3c or OC12) delivered to the premises. Each Customer Node must be configured with one or more Customer Premises Ports.

(C)

(C)

(D)

(D)

Rates and charges for the Customer Node are set forth in 17.3.11 (E) (1) following.

(M)

RECEIVED  
MAR 31 1999

ILLINOIS COMMERCE COMMISSION  
CHIEF CLERK'S OFFICE

(M)

(M) Certain material previously appearing on 1st Revised Page 7-53 now appears on Original Page 7-53.1.

ACCESS SERVICE

7. Special Access Service (Cont'd)

7.11 Synchronous Optical Channel Service (Cont'd)

7.11.3 Optional Features and Functions (Cont'd)

(B) Customer Premises Port

FILED IN COMPLIANCE WITH  
Order No. 90-0925  
 Law  Tariff Prov.  
CHECK FOR COMPLIANCE

MAY 11 1999

PUBLIC UTILITIES DIVISION (C) (M)  
Engineering Department

Customer Premises Port charges apply in conjunction with the Customer Node charge. Each Customer Premises Port provides the interface to derive a lower capacity service at the customer premises. The type and quantity of ports is determined by the customer and is based on the type of Customer Node selected and the number of DS1, DS3, STS-1 and/or OC3/OC3c channels ordered. Customer Premises Ports are available at the following speeds:

<u>Customer Premises Port</u>	<u>Speed</u>
OC3, OC3c	155.52 Mbps
STS-1	51.84 Mbps
DS3	44.736 Mbps
DS1	1.544 Mbps

Rates and charges for the Customer Premises Port are as set forth in 17.3.11 (E) (2) following.

RECEIVED  
MAR 31 1999

ILLINOIS COMMERCE COMMISSION  
CHIEF CLERK'S OFFICE

- (M) Certain material formerly appearing on 1st Revised Page 7-53 can now be found on this page.
- (M1) Certain material previously appearing on 1st Revised Page 7-54 can now be found on this page.



By Glenn Rauh, President

Section 7

3rd Revised Page 54

Cancels 2nd Revised Page 54

ACCESS SERVICE

7. Special Access Service (Cont'd)

7.11 Synchronous Optical Channel Service (Cont'd)

7.11.3 Optional Features and Functions (Cont'd)

(C) Add/Drop Multiplexing

FILED IN EXHIBIT 111111111111  
Order No. 96-0021  
 Law  Tariff Prov.  
CHECK FOR COMPLIANCE

JUL 30 1999

**PUBLIC UTILITIES DIVISION  
Engineering Department**

An Add/Drop Multiplexing Central Office Port charge applies to the interface provided at a Telephone Company wire center for the purpose of adding or dropping lower capacity services from Synchronous Optical Channel Service Channel Termination or Channel Mileage transport facilities. Central Office Ports are available at the following speeds:

Central Office Port	Speed
OC3, OC3c	155.52 Mbps
DS3	44.736 Mbps
DS1	1.544 Mbps

The OC3/OC3c Central Office Port is only available with an Add/Drop Multiplexer operating at OC12.

When an OC3 channel is derived from an OC12 service and is further de-multiplexed to obtain DS3 service, a DS3 port charge will apply in addition to the OC3 port charge.

When a DS3 channel is derived from an OC3 or OC12 service and is further de-multiplexed to obtain DS1 service, a DS3 to DS1 Multiplexing charge as set forth in 17.3.8 (D) (1) will apply in addition to the DS3 port charge.

When a DS1 channel is derived from an OC3 service, a DS1 port charge will apply. (N)

When a DS1 channel is further de-multiplexed to a lower level signal, a DS1 to Voice Grade Multiplexing charge as set forth in 17.3.8(D)(1) will also apply. (N)

Rates and charges for the Central office Port are as set forth in 17.3.11 (E) (2) following.

(M) Certain material previously appearing on 1st Revised Page 7-54 now appears on Original Page 7-53.1.

**RECEIVED**  
JUN 29 1999

Issued: June 28, 1999

ILLINOIS COMMERCE COMMISSION  
Issued by: ISCEA Chief Clerk  
2060 West Iles, Suite A  
Springfield, Illinois 62704

Effective: July 1, 1999

ACCESS SERVICE

7. Special Access Service (Cont'd)

7.11 Synchronous Optical Channel Service (Cont'd)

7.11.3 Optional Features and Functions (Cont'd)

(D) Shared SONET Ring Interoffice Transport

- (1) Shared SONET Ring Interoffice Transport (SSRIT) is a non-chargeable optional feature which provides interoffice transmission of a Synchronous Optical Channel Service over a SONET-based facility deployed in a ring configuration. Shared SONET Ring Interoffice Transport provides increased reliability and functionality using a self-healing ring topology designed to continually monitor service quality, detect any failure within the system, and automatically self-heal within 50 milliseconds around the point of failure by switching to a protect path to ensure the flow of service between locations within the self-healing ring.
- (2) Shared SONET Ring Interoffice Transport is provided for the interoffice portion of Synchronous Optical Channel Service, subject to availability of SONET ring facilities. The wire centers offering Shared SONET Ring Interoffice Transport are identified in NATIONAL EXCHANGE CARRIER ASSOCIATION, INC., WIRE CENTER INFORMATION, TARIFF F.C.C. NO. 4.
- (3) The Shared SONET Ring Interoffice Transport optional feature may be ordered at the same time the Synchronous Optical Channel Service is ordered or it may be ordered as an addition to an existing Synchronous Optical Channel Service. The customer must agree to out-of-service periods required to add this feature to an existing Synchronous Optical Channel Service. The charges for the Shared SONET Ring Interoffice Transport optional feature are as set forth in 7.2.2(C)(3) preceding.

FILED IN COMPLIANCE WITH  
 Order No. 90-0925  
 Law  Tariff Prov.  
CHECK FOR COMPLIANCE

MAY 11 1999

PUBLIC UTILITIES DIVISION  
Engineering Department (T)

RECEIVED  
MAR 31 1999

ILLINOIS COMMERCE COMMISSION  
CHIEF CLERK'S OFFICE

Issued: March 31, 1999

Effective: April 1, 1999

Issued by: ISCECA Tariff Administrator  
2060 W. Iles, Suite A  
Springfield, Illinois 62704

ACCESS SERVICE

Special Access Service (Cont'd)

7.12 Individual Case Filings

Certain Services set forth in Special Access Service, Section 7, are provided on an Individual Case Basis. Rates and charges for Special Access Service provided on an Individual case basis are set forth in 17.3.9 following.

(M)  
|  
(M)

FILED IN COMPLIANCE WITH  
 Order No. 90-092  
 Law  Tariff Prov.  
CHECK FOR COMPLIANCE

JUL 22 1997

PUBLIC UTILITIES DIVISION  
Engineering Department

RECEIVED  
JUL 15 1997

ILLINOIS COMMERCE COMMISSION  
CHIEF CLERK'S OFFICE

(M) Material previously found on 1st Revised Page 52 can now be found on this page.